

HP 10/100 3Com 3C905B-TX

**Network Interface Card
Installation Guide**

**Network Interface Card
Installationsanleitung**

**Guide d'installation de la carte
d'interface réseau**

**Guía de Instalación de la Tarjeta
de Interfaz de Red
*Léase esto primero***

**Guida di installazione
della scheda di interfaccia di rete**

English	Chapter	1
Deutsch	Kapitel	2
Français	Chapitre	3
Español	Capítulo	4
Italiano	Capitolo	5

HP 10/100 3Com 3C905B-TX Network
Interface Card Installation Guide

Notice

The information contained in this document in this document is subject to change without notice.

Hewlett-Packard makes no warranty of any kind with regard to this material, including, but not limited to, the implied warranties of merchantability and fitness for a particular purpose. Hewlett-Packard shall not be liable for errors contained herein or for incidental or consequential damages in connection with the furnishing, performance, or use of this material.

Hewlett-Packard assumes no responsibility for the use or reliability of its software on equipment that is not furnished by Hewlett-Packard.

This document contains proprietary information that is protected by copyright. All rights are reserved. No part of this document may be photocopied, reproduced, or translated to another language without the prior written consent of Hewlett-Packard Company.

Acrobat[®] and Adobe[®] are trademarks of Adobe Systems Incorporated and may be registered in certain jurisdictions.

3Com[®] and EtherDisk[®] are U.S. registered trademarks of 3Com Corporation.

Magic Packet[™] and PCnet[™] are U.S. trademarks of AMD Corporation.

Microsoft[®], Windows[®], and Windows NT[®] are U.S. registered trademarks of Microsoft Corporation.

Hewlett-Packard France
Commercial Computing Division
Technical Marketing
5 Avenue Raymond Chanas
38053 Grenoble Cedex 9
France

©1998 Hewlett-Packard Company

Excerpted material reprinted with permission from 3Com Corporation.

©1998 3Com Corporation

What's in the Network Kit?

The Network Kit includes the following items:

Component	Quantity in Network Kit	
	D6500A	D6509A
HP 10/100 3Com 3C905B-TX network interface card (NIC)	1	10
LAN driver diskettes	2	2
Wake On LAN cable	1	10
This <i>Installation Guide</i>	1	1

Installation Requirements

The following operating systems and HP PC platforms are supported for installation of the network interface card.

Supported Operating Systems

- Windows 95 SR2 or later
- Windows NT 4.0 and Service Pack 3

The driver installation diskettes contain drivers for other network operating systems. For more information on installing these drivers, refer to the readme files provided on the installation diskettes. The latest drivers are available on HP's Web site at:

<http://www.hp.com/go/vectrasupport>

Supported Platforms

To find out on which PCs you can install a 3C905B-TX card, go to the following HP Web sites:

- For Vectra Corporate PCs
<http://www.hp.com.go/vectraaccessories>
- For Kayak PC workstations
<http://www.hp.com.go/kayakaccessories>

NT Service Pack

If an NT service pack is already installed on the PC, it must be re-installed after the Network Interface Card (NIC) and software is installed. When using the HP preloaded NT 4.0 software, the latest service pack can be found in the **C:\I386\SPx** directory.

Operating System Master Diskettes

During the software installation you will need to have your operating system master diskettes or CD-ROM available.

When using HP preloaded operating system software, the master diskettes can be found in the following directories:

- **C:\I386** (Windows NT 4.0)
- **C:\WINDOWS\OPTIONS\CABS** (Windows 95)

Supported Network Drivers

The following network drivers are supported by Hewlett-Packard:

Network Operating System	README (for driver installation)	Network Driver Name
Windows 95	W95NDIS.TXT	EL90XND3.SYS EL90XND4.SYS
Windows 95 NDIS 2	W95NDIS.TXT	EL90X.DOS
Windows NT 3.51	WINNT.TXT	EL90XND3.SYS
Windows NT 4.0	WINNT.TXT	EL90XND4.SYS
NetWare Client 32 ODI	CLIENT32.TXT	3C90X.LAN
NetWare OS/2	NWOS2ODI.TXT	3C90X.SYS
NetWare client for DOS, Windows 3.1, and Windows for Workgroups	AUTOLINK.TXT (NETWARE directory)	3C90X.COM
Windows for Workgroups (NetWare)	WFWNETWR.TXT	3C90X.COM
Windows for Workgroups (NDIS 2)	WFWNDIS2.TXT	EL90X.DOS
Windows for Workgroups (NDIS 3)	WFWNDIS3.TXT	EL90X.386
Microsoft LAN Manager	LANMAN.TXT	EL90X.DOS

Non-Supported Network Drivers

The following network drivers are provided on the *EtherDisk* diskettes but not supported by Hewlett-Packard:

Network Operating System	README (for driver installation)	Network Driver Name
Netware 4.1 Server	NETWARE.41X	3C90X.LAN
Banyan VINES	BANYAN.TXT	EL90X.DOS
Artisoft LANtastic	LANTASTK.TXT	EL90X.DOS
IBM LAN SERVER (DOS)	LANSRVR.TXT	EL90X.DOS
IBM LAN SERVER (OS/2)	LANSRVR.TXT	EL90X.OS2
DEC PATHWORKS	PATHWORK.TXT	EL90X.DOS (DOS) and 3C90X.COM (Netware)

Overview of the Installation Procedure

CAUTION

Your PC and network interface card can be permanently damaged by static electricity. Before handling the card, touch the unpainted part of your PC's metal chassis. Maintain grounding by wearing a wrist strap attached to the chassis. Handle the card by its backplate and top edge. Do not touch the edge connector.

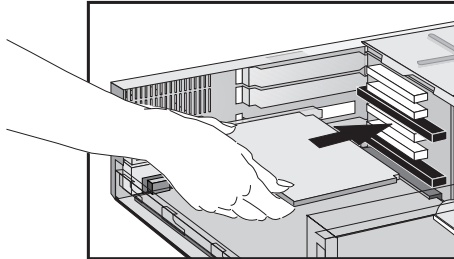
Installing the 3C905B-TX NIC is a 4-step process. You need to:

- 1 Install the card in your PC.
- 2 Connect the card to the network.
- 3 Update LAN-specific fields in the HP PC *Setup* utility.
- 4 Install the driver software.

Installing the Network Interface Card

For complete information on how to install an accessory card, refer to your *PC User's Guide*. The following steps are given as a guide.

- 1 With the PC turned off, disconnect the power cord and any connection to a telecommunications network, and then remove the cover.
- 2 Choose an empty PCI slot. If you do not know how to identify a PCI slot, refer to your PC's documentation.
- 3 Remove the metal slot cover.
- 4 Depending on the PC model, you may need to remove the accessory slot's retaining bracket. Refer to your *PC User's Guide* if necessary.
- 5 Insert the card into the accessory slot without bending it.



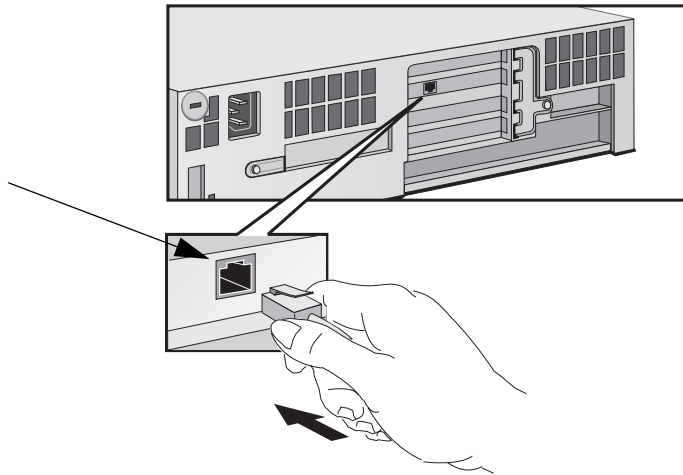
The card may be installed in a minitower model or in a desktop model.

- 6 Connect the Wake on LAN cable to the connectors on the NIC and the backplane or motherboard.
For the position of the Wake on LAN connector on the NIC, refer to "3C905B-TX NIC Specifications" on page 16.
Refer to your PC's documentation for the position of the Wake on LAN connector on the system board or backplane.
- 7 Secure the card by replacing the slot cover screw or the retaining bracket and its screw, as appropriate.
- 8 Replace the cover. Reconnect the power cord and any connection to a telecommunications network.

Connecting to the Network

Connect the network cable to the RJ-45 UTP (Unshielded Twisted Pair) LAN connector. The LAN card supports both 10 Mbits/s and 100 Mbits/s operation.

RJ-45 UTP
Connector



Remote Wake Up

The network interface card is able to wake the PC from a sleep state if it receives a special sequence (known as a Magic Packet™) from the network.

Updating LAN-specific Fields in the HP PC *Setup* Utility

Having physically installed the network interface card in the PC, you now need to check that the BIOS is configured to use the card. To do this you need to use the HP PC *Setup* utility.

Starting the HP PC *Setup* Utility

- 1 Restart the PC.
- 2 Press **(F2)** when **F2=Setup** is displayed on the screen during the PC's startup routine. The opening window of the HP PC *Setup* utility is displayed.

Which Fields Need Updating?

You need to check, and update if necessary, all the fields that are LAN-related.

The bulleted list given below gives guidelines on how to configure a LAN interface. The field names used in your version of the *Setup* program may be slightly different to those shown below.

If you want to boot from the network:

- Check that **Security → Boot Devices Security → Start from Network** is enabled.
- Change the boot order so that Network appears first (**Advanced → Advanced CMOS Setup → 1st Boot Device: Network**).

NOTE

You can only boot a PC from the network if it has boot ROM integrated in its BIOS (as with the HP Vectra VL Series 8 PC for example) or if it contains an NIC with an embedded boot ROM chip.

On other platforms such as the HP Vectra VL Series 7, VE Series 7 or Series 8 PCs, a boot ROM chip is needed in order to boot from the network. This component can be ordered from 3Com.

If you want to wake up your PC from the network:

- Check that the PC can be woken up from the network (**Power → Suspend Wakeup → Network [Enabled]**).

If you want to power on your PC from the network:

- Check that the PC can be powered on from the network (**Power → Power-On → Network [Enabled]**).

Software Installation Procedure

CAUTION

Make sure that you have installed the network interface card before you install the network driver software.

Software Installation on a Windows 95 System

This section describes how to install the network driver when your PC is running Windows 95:

- 1 Start the PC.
Windows 95 will automatically detect the network interface card.
- 2 Select **Driver** from the disk provided by the hardware manufacturer and click on OK.
- 3 Insert *EtherDisk* diskette #2 in your drive, and if the diskette is in drive A, click on OK.
Otherwise, supply the correct drive letter and then click on OK.
Once the 3Com installation files have been read, Windows 95 prompts you for the Windows 95 network installation files.
- 4 Enter the location of the Windows 95 files (CAB files), and click on OK. On HP Windows 95 preloaded systems, the path is
C:\WINDOWS\OPTIONS\CABS.
If Windows prompts you to reboot, click on Yes. The driver installation is complete.

Confirming Installation

Follow these steps to confirm that the network interface card is properly installed in a PC running Windows 95:

- 1 Double-click on the **My Computer** icon.
- 2 Double-click on the **Control Panel** icon.
- 3 Double-click on the **System** icon. The **System Properties** box appears.
- 4 Click on the **Device Manager** tab. A list of devices appears, arranged by type.

- 5 Double-click on **Network Adapters**. The name of the installed network interface card appears:
3Com EtherLink XL Adapter (3C905B).
If this name does not appear or if a yellow exclamation mark appears next to it, follow this troubleshooting procedure:
 - a In the **Device Manager** window, double-click on **Other Devices**.
 - b Click **PCI Ethernet Controller** or the duplicate 3C905B-TX NIC entry.
 - c Click on **Remove**.
 - d Restart your PC.

Software Installation and Update on a Windows NT 4.0 System

This section describes how to install the network driver in a PC workstation running Windows NT version 4.0. Before you begin, obtain *EtherDisk* diskette #2 and Windows NT installation files (stored under **C:\I386** on systems preloaded with Windows NT 4.0).

If Windows NT networking is not installed, you may also need the following information from your MIS department:

- Whether you are on a LAN or are connecting to one through a modem
- The protocol used in the Microsoft Windows Network (typically TCP/IP or NetBEUI)
- The name of the Windows NT server domain or workgroup you belong to
- Your IP address if you are not using DHCP

Installing the Driver

Follow these steps to install the network driver in a PC running Windows NT version 4.0:

- 1 Restart the PC and start Windows NT.
- 2 In the **Control Panel**, double-click on **Network**.
- 3 In the **Network** window, click on the **Add...** button.
- 4 In the **Select Network Component Type** window, select the **Adapter** item and then click on the **Add...** button.
- 5 In the **Select Network adapters** window, click on the **Have Disk...** button.
- 6 Insert *EtherDisk* diskette #2 in drive A, and in the **Insert Disk** window, click on OK.
- 7 In the **Select OEM Option** box, select **3Com EtherLink Adapter (3C905B)**.
- 8 Click on OK.
- 9 Select the **Protocol** tab.
- 10 Select the appropriate protocol for your network and click on OK.
- 11 Close the **Network** window.
If you are prompted for network information, enter the information supplied by your MIS department.
Windows NT prompts you to reboot.
- 12 Click on Yes to restart your PC.
The driver installation is complete.
To confirm successful installation, double-click on the **Network** icon in the **Control Panel**. Double click on the **Adapter** item. **3Com EtherLink XL Adapter** should appear in the **Network Adapters** list.

CAUTION

If a service pack was already installed on the PC before the network interface card was installed, the service pack must be reinstalled.

On some platforms you also need to reinstall your video drivers. Check your PC documentation for more information.

Updating the Driver

If you already have the 3C905B-TX network driver and want to update it, follow the instructions provided below.

- 1 Install the network interface card and connect it to the network as described earlier.
- 2 Restart the PC and start Windows NT.
- 3 In the **Control Panel**, double-click on **Network**.
- 4 In the **Network** window, double-click on the **Adapter** item.
- 5 Select **3Com EtherLink XL NIC**.
- 6 Click on **Update**.
- 7 Insert *EtherDisk* diskette #2. The driver will be automatically updated.

CAUTION

If a service pack was already installed on the PC before the network interface card was installed, the service pack must be re-installed.

On some platforms you also need to reinstall your video drivers. Check your PC documentation for more information.

Checking the Installation

Test whether the card functions on the network by finding another network device or performing a network operation. If it does not work correctly, refer to the “Troubleshooting” section that follows.

Troubleshooting

The 3C905B-TX Card Does Not Work

If your network interface does not work, try the following:

- Check that:
 - The card is correctly installed (refer to “Installing the Network Interface Card” on page 7).
 - The LAN-specific fields in the HP PC *Setup* utility are correctly set (refer to “Updating LAN-specific Fields in the HP PC Setup Utility” on page 9).
 - The software installation steps have been followed (refer to “Software Installation Procedure” on page 10).
- Check the network cables. In particular, check that the network cable connections are secure and that the cables are not damaged. If you find any loose connections or damaged cables, fix them and then see if your PC can communicate on the network.
- Check that either the 10 LNK or 100LNK green LED on the 3C905B-TX NIC’s rear panel is on (refer to “3C905B-TX NIC Specifications” on page 16). The green LED on the card’s rear panel is off when there is no network link, for example, when the LAN cable is not connected to the network HUB.
- For NT 4.0 systems, check that your Service Pack has been reinstalled. In case of doubt, reinstall the Service Pack.

The PC Cannot Be Started or Woken up from the Network

Check that the WOL connector cable is connected to the network interface card and to the PC's system board.

- If the PC has been powered off (for example, due to an electrical power failure, or because the power cord has been removed), the Remote Power On (RPO) will not work. To enable the RPO, you must first power on the PC, allow Windows 95 or NT 4.0 to boot, then shut down the PC.
- Check that the WOL connector cable is connected to the network interface card and to the PC's system board.
- Check that the LAN-specific fields in the HP PC *Setup* utility are correctly set (refer to refer to "Updating LAN-specific Fields in the HP PC Setup Utility" on page 9).

NOTE

RPO is only supported under Windows 95 and Windows NT 4.0.

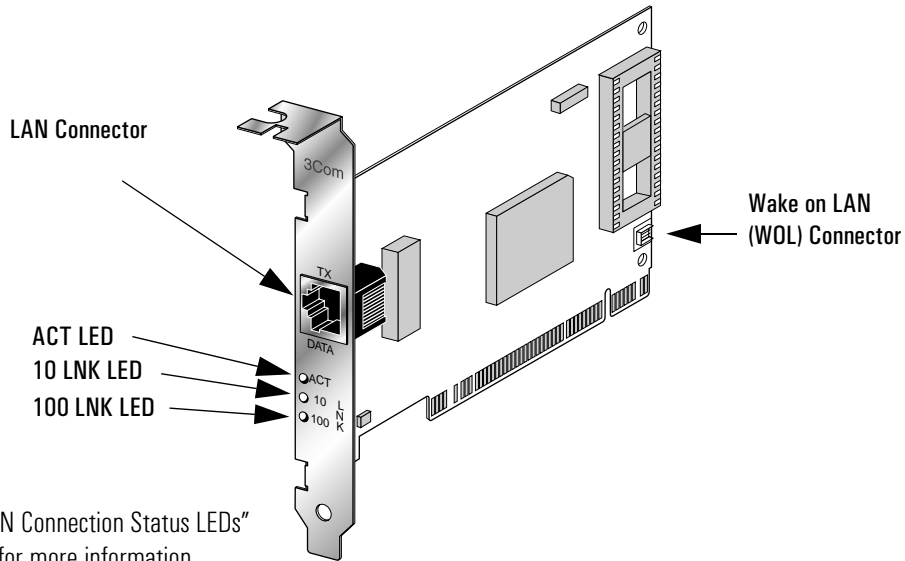
HP Support Services

The latest drivers and utilities are available on HP's Web site at:

<http://www.hp.com/go/vectrasupport>

3C905B-TX NIC Specifications

Physical Layout



Specifications

Network Interface	<ul style="list-style-type: none">• 10 Mbps Ethernet 10BASE-T: Ethernet IEEE 802.3 industry standard for a 10 Mbps baseband CSMA/CD local area network.• 100 Mbps Ethernet 100BASE-TX: Ethernet IEEE 802.3u industry standard for a 100 Mbps baseband CSMA/CD local area network.
Physical Dimensions	<ul style="list-style-type: none">• Height: 8.57 cm (3.75 in.)• Length: 12.07 cm (4.75 in.)
Environmental Operating Range	<ul style="list-style-type: none">• Operating temperature: 0° to 70° C (32° to 158° F)• Humidity: 10 to 90% noncondensing

Power Requirements	<ul style="list-style-type: none"> Operating voltage: +5 V \pm 5% @650 mA max
--------------------	---

LAN Connection Status LEDs

There are three LEDs on the rear of the 3C905B-TX NIC that indicate the LAN connection status as follows:

LED	Description	Flashing	Steady	Off
10 LNK	Green: Link integrity	Reversed polarity	Good 10BASE-T connection between NIC and hub	No connection between NIC and hub
100 LNK	Green: Link integrity	Reversed polarity	Good 100BASE-TX connection between NIC and hub	No connection between NIC and hub
ACT	Yellow: Port traffic for either speed	Network traffic present	Heavy network traffic	No traffic

FCC (for USA only)

Federal Communications Commission Radio Frequency Interference Statement

Warning:

This equipment has been tested and found to comply with the limits for a Class B digital device, pursuant to Part 15 of the FCC Rules. These limits are designed to provide reasonable protection against harmful interference in a residential installation. This equipment generates and uses, and can radiate radio frequency energy and, if not installed and used in accordance with the instructions, may cause harmful interference to radio communications. However, there is no guarantee that interference will not occur in a particular installation. If this equipment does cause harmful interference to radio or television reception, which can be determined by turning the equipment off and on, the user is encouraged to correct the interference by one or more of the following measures:

- reorient or relocate the receiving antenna
- increase the separation between the equipment and the receiver
- connect the equipment into an outlet on a circuit different from that to which the receiver is connected
- consult the dealer or an experienced radio/TV technician for help.

Hewlett-Packard's FCC Compliance Tests were conducted with HP-supported peripheral devices and HP shielded cables, such as those you receive with your system. Changes or modifications not expressly approved by Hewlett-Packard could void the user's authority to operate the equipment.

Notice for Canada

This Class B digital apparatus meets all requirements of the Canadian Interference-Causing Equipment Regulations.

Cet appareil numérique de la Class B respecte toutes les exigences du Règlement sur le matériel brouilleur du Canada.

Hardware Warranty

This HP accessory is covered by a limited hardware warranty for a period of one year from the date of purchase by the original end-user. The type of service provided is return to an HP or repair-authorized reseller service-center.

At Hewlett-Packard's discretion, a defective accessory will be repaired or replaced by a new unit, either of the same type or of an equivalent model.

If this accessory is purchased and used together with an HP Vectra personal computer, it will be covered by the warranty of this computer or workstation, under the same conditions of service and duration.

Please, refer to the warranty statement provided with your HP personal computer or PC workstation for warranty limitations, customer responsibilities and other terms and conditions.

FOR CONSUMER TRANSACTIONS IN AUSTRALIA AND NEW ZEALAND: THE WARRANTY TERMS CONTAINED IN THIS STATEMENT, EXCEPT TO THE EXTENT LAWFULLY PERMITTED, DO NOT EXCLUDE, RESTRICT OR MODIFY AND ARE IN ADDITION TO THE MANDATORY STATUTORY RIGHTS APPLICABLE TO THE SALE OF THIS PRODUCT TO YOU.

HP 10/100 3Com 3C905B-TX Network Interface Card Installation Guide
Hardware Warranty

HP 10/100 3Com 3C905B-TX Network
Interface Card Installationsanleitung

Hinweis

Die in diesem Dokument enthaltenen Informationen können ohne vorherige Ankündigung geändert werden.

Hewlett-Packard gewährt keinerlei Garantie auf dieses Material und schließt unter anderem Vermarktungsgarantien und Gewährleistung der Eignung des Materials für einen bestimmten Zweck aus. Hewlett-Packard ist für in diesem Material auftretende Fehler sowie für zufällige oder kausale Fehler in Zusammenhang mit der Lieferung, Leistung oder Anwendung dieses Materials nicht haftbar zu machen.

Hewlett-Packard übernimmt keine Verantwortung für die Verwendung oder Zuverlässigkeit seiner Software, die auf Geräten betrieben wird, die nicht von Hewlett-Packard geliefert wurden.

Dieses Dokument enthält eigentumsrechtliche Informationen, die durch das Urheberrecht geschützt sind. Alle Rechte sind vorbehalten. Ohne die vorherige, schriftliche Einverständniserklärung der Hewlett-Packard Company darf kein Teil dieses Dokuments fotokopiert, reproduziert oder in eine andere Sprache übersetzt werden.

Acrobat[®] und Adobe[®] sind Handelsmarken der Adobe Systems Incorporated und können in bestimmten Ländern eingetragen sein.

3Com[®] und EtherDisk[®] sind in den USA eingetragene Handelsmarken der 3Com Corporation.

Magic Packet[™] und PCnet[™] sind US-Handelsmarken der AMD Corporation.

Microsoft[®], Windows[®] und Windows NT[®] sind in den USA eingetragene Handelsmarken der Microsoft Corporation.

Hewlett-Packard France
Commercial Computing Division
Technical Marketing
5 Avenue Raymond Chanas
38053 Grenoble Cedex 9
Frankreich

© 1998 Hewlett-Packard Company

Es wird auszugsweise Material mit Genehmigung der 3Com Corporation reproduziert.

© 1998 3Com Corporation

Was enthält das Network Kit?

Das Network Kit umfasst die folgenden Komponenten:

Komponente	Anzahl im Network Kit	
	D6500A	D6509A
HP 10/100 3Com 3C905B-TX network interface card (NIC)	1	10
LAN Treiberdisketten	2	2
Wake On LAN-Kabel	1	10
Diese <i>Installationsanleitung</i>	1	1

Installationsvoraussetzungen

Für die Installation der Network Interface Card werden die folgenden Betriebssysteme und HP PC-Plattformen unterstützt.

Unterstützte Betriebssysteme

- Windows 95 SR2 oder höher
- Windows NT 4.0 und Service Pack 3

Die Installationsdisketten der Treiber enthalten Treiber für andere Netzwerk-Betriebssysteme. Weitere Informationen zur Installation dieser Treiber finden Sie in den Readme-Dateien auf den Installationsdiskette. Die neuesten Treiber finden Sie auf der Website von HP unter:

<http://www.hp.com/go/vectrasupport>

Unterstützte Plattformen

Auf den folgenden HP Websites erfahren Sie, auf welchen PCs Sie eine 3C905B-TX Karte installieren können:

- Für Vectra Firmen-PCs
<http://www.hp.com.go/vectraaccessories>
- Für Kayak PC workstations
<http://www.hp.com.go/kayakaccessories>

NT Service Pack

Wenn auf dem PC bereits ein NT Service Pack installiert ist, muß es nach der Installation der Network Interface Card (NIC) und der Software nochmals installiert werden. Bei der Verwendung der vorinstallierten HP NT 4.0 Software kann das neueste Service Pack im Verzeichnis **C:\I386\SPx** gefunden werden.

Betriebssystem-Masterdisketten

Während der Installation der Software müssen Sie Ihre Betriebssystem-Masterdisketten oder die CD-ROM zur Hand haben.

Bei der Verwendung der vorinstallierten HP Betriebssystem-Software können die Masterdisketten in den folgenden Verzeichnissen gefunden werden:

- **C:\I386** (Windows NT 4.0)
- **C:\WINDOWS\OPTIONS\CABS** (Windows 95)

Unterstützte Netzwerktreiber

Die folgenden Netzwerktreiber werden von Hewlett-Packard unterstützt:

Netzwerk-Betriebssystem	README (für Installation der Treiber)	Name des Netzwerktreibers
Windows 95	W95NDIS.TXT	EL90XND3.SYS EL90XND4.SYS
Windows 95 NDIS 2	W95NDIS.TXT	EL90X.DOS
Windows NT 3.51	WINNT.TXT	EL90XND3.SYS
Windows NT 4.0	WINNT.TXT	EL90XND4.SYS
NetWare Client 32 ODI	CLIENT32.TXT	3C90X.LAN
NetWare OS/2	NWOS2ODI.TXT	3C90X.SYS
NetWare Client für DOS, Windows 3.1, und Windows für Workgroups	AUTOLINK.TXT (NETWARE Verzeichnis)	3C90X.COM
Windows für Workgroups (NetWare)	WFVNETWR.TXT	3C90X.COM
Windows für Workgroups (NDIS 2)	WFVNDIS2.TXT	EL90X.DOS
Windows für Workgroups (NDIS 3)	WFVNDIS3.TXT	EL90X.386
Microsoft LAN Manager	LANMAN.TXT	EL90X.DOS

Nicht unterstützte Netzwerktreiber

Die folgenden Netzwerktreiber befinden sich auf den *EtherDisk* Disketten, werden jedoch nicht von Hewlett-Packard unterstützt:

Netzwerk-Betriebssystem	README (für Installation der Treiber)	Name des Netzwerktreibers
Netware 4.1 Server	NETWARE.41X	3C90X.LAN
Banyan VINES	BANYAN.TXT	EL90X.DOS
Artisoft LANtastic	LANTASTK.TXT	EL90X.DOS
IBM LAN SERVER (DOS)	LANSRVR.TXT	EL90X.DOS
IBM LAN SERVER (OS/2)	LANSRVR.TXT	EL90X.OS2
DEC PATHWORKS	PATHWORK.TXT	EL90X.DOS (DOS) und 3C90X.COM (Netware)

Überblick über den Installationsvorgang

VORSICHT

Sowohl Ihr PC als auch die Network Interface Card können durch statische Elektrizität dauerhaft beschädigt werden. Berühren Sie vor der Handhabung der Karte das nicht lackierte Metallchassis Ihres PCs. Halten Sie sich durch Tragen eines mit dem Chassis verbundenen Erdungsarmbandes ständig geerdet. Halten Sie die Karte auf ihrer Rückseite und ihrer oberen Kante. Berühren Sie den Stecker an der Ecke nicht.

Die Installation der 3C905B-TX NIC erfolgt in 4 Schritten. Dabei:

- 1 Installieren Sie die Karte in Ihrem PC.
- 2 Verbinden Sie die Karte mit dem Netzwerk.
- 3 Bringen Sie die LAN-spezifischen Felder im HP PC *Setup* Programm auf den neuesten Stand.
- 4 Installieren Sie die Treibersoftware.

Installieren der Network Interface Card

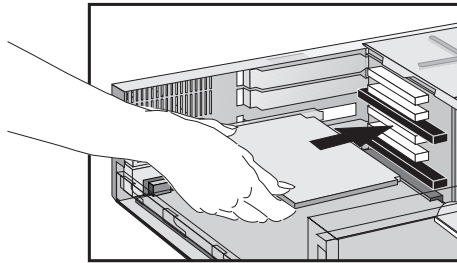
Vollständige Informationen zum Installieren einer Zubehörkarte finden Sie im *Betriebshandbuch* Ihres PCs. Die folgenden Schritte sind als Richtlinien angegeben.

- 1 Entfernen Sie beim ausgeschalteten PC das Netzkabel und alle Verbindungen zu Telekommunikationsnetzwerken und öffnen Sie das Gehäuse.
- 2 Wählen Sie einen leeren PCI Einsteckplatz. Wenn Sie nicht wissen, woran man einen PCI Einsteckplatz erkennt, schlagen Sie im Handbuch Ihres PCs nach.
- 3 Entfernen Sie die Metallabdeckung des Einsteckplatzes.

HP 10/100 3Com 3C905B-TX Network Interface Card Installationsleitung

Installieren der Network Interface Card

- 4 Je nach PC-Modell müssen Sie ggf. die Halteklammer des Zubehör-Einsteckplatzes entfernen. Näheres hierzu finden Sie im Betriebshandbuch Ihres PCs.
- 5 Setzen Sie die Karte in den Zubehör-Einsteckplatz ein, ohne sie zu knicken.

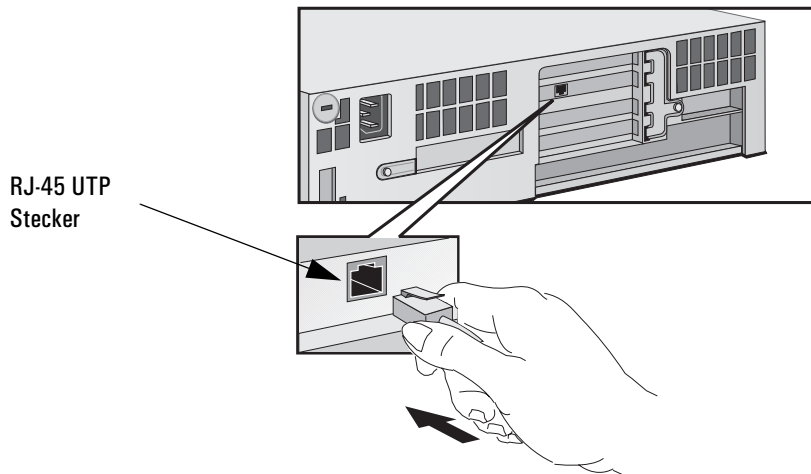


Die Karte kann sowohl in einem Minitower- als auch in einem Desktopmodell installiert werden.

- 6 Schließen Sie das Wake on LAN-Kabel an die Stecker der NIC und die rückseitige Platine oder die Hauptplatine an.
Die Position des Wake on LAN-Steckers auf der NIC ist unter "Spezifikationen der 3C905B-TX NIC" auf Seite 18 angegeben. Schlagen Sie die Position des Wake on LAN-Steckers auf der Hauptplatine oder der rückseitigen Platine im Handbuch Ihres PCs nach.
- 7 Sichern Sie die Karte durch entsprechendes Auswechseln der Befestigungsschraube der Abdeckung oder die Halteklammer einschließlich Schraube.
- 8 Schließen Sie das Gehäuse. Schließen Sie das Netzkabel und alle Verbindungen zu Telekommunikationsnetzwerken wieder an.

Anschluß an das Netzwerk

Verbinden Sie das Netzkabel mit dem RJ-45 UTP (Unshielded Twisted Pair) LAN-Stecker. Die LAN-Karte unterstützt sowohl den Betrieb mit 10 Mbits/s als auch mit 100 Mbits/s.



Remote Wake Up

Die Network Interface Card kann den PC aus dem Standby-Modus "aufwecken", wenn sie eine bestimmte Sequenz (das sogenannte Magic Packet™) über das Netzwerk erhält.

Aktualisieren der LAN-spezifischen Felder im HP PC Setup Programm

Nachdem die Network Interface Card in den PC eingesetzt wurde, müssen Sie nun überprüfen, daß das BIOS zur Verwendung dieser Karte konfiguriert ist. Hierzu benötigen Sie das HP PC *Setup* Programm.

Aufrufen des HP PC *Setup* Programms

- 1 Starten Sie den PC neu an.
- 2 Drücken Sie **(F2)**, sobald die Meldung **F2=Setup** während dem Anstarten des PCs auf dem Bildschirm erscheint. Dadurch erscheint der Anfangsbildschirm des HP PC *Setup* Programms.

Welche Felder müssen aktualisiert werden?

Sie müssen alle LAN-spezifischen Felder überprüfen und ggf. aktualisieren.

Die untenstehende Liste gibt Ihnen Richtlinien zur Konfigurierung einer LAN-Schnittstelle. Die in Ihrem *Setup* Programm verwendeten Feldbezeichnungen können von den hier aufgeführten leicht abweichen.

Wenn Sie über das Netzwerk booten wollen:

- Prüfen Sie, daß **Security → Boot Devices Security → Start from Network** aktiviert ist.
- Ändern Sie die Boot-Reihenfolge so, daß Network an erster Stelle erscheint (**Advanced → Advanced CMOS Setup → 1st Boot Device: Network**).

HINWEIS

Sie können einen PC nur dann über das Netzwerk booten, wenn sein BIOS einen Boot-ROM enthält (wie z.B. der HP Vectra VL Serie 8 PC), oder wenn eine NIC mit integriertem Boot-ROM Chip installiert wurde.

Andere Plattformen wie die HP Vectra VL Serie 7, VE Serie 7 oder Serie 8 PCs benötigen einen Boot-ROM Chip, um über das Netzwerk booten zu können. Ein solches Bauteil können Sie von 3Com beziehen.

Wenn Sie Ihren PC über das Netzwerk aufwecken wollen:

- Stellen Sie sicher, daß der PC über das Netzwerk aufgeweckt werden kann (**Power → Suspend Wakeup → Network [Enabled]**).

Wenn Sie Ihren PC über das Netzwerk einschalten wollen:

- Stellen Sie sicher, daß der PC über das Netzwerk eingeschaltet werden kann(**Power → Power-On → Network [Enabled]**).

Installation der Software

VORSICHT

Stellen Sie sicher, daß Sie die Network Interface Card installiert haben, bevor Sie die Netzwerktreiber-Software installieren.

Installation der Software auf einem Windows 95 System

In diesem Abschnitt wird die Installation des Netzwerktreibers auf einem PC beschrieben, der unter Windows 95 läuft:

- 1 Starten Sie den PC an.
Windows 95 wird die Network Interface Card automatisch detektieren.
- 2 Wählen Sie **Driver** (Treiber) auf der Diskette, die von Ihrem Gerätehersteller geliefert wurde, und klicken Sie auf OK.

- 3 Schieben Sie die *EtherDisk* Diskette #2 in Ihr Laufwerk ein. Klicken Sie auf OK, wenn sich die Diskette in Laufwerk A befindet. Geben Sie andernfalls den korrekten Laufwerksbuchstaben ein und klicken Sie auf OK.
Sobald die 3Com Installationsdateien gelesen wurden, fordert Sie Windows 95 zur Eingabe der Windows 95 Netzwerk-Installationsdateien auf.
- 4 Geben Sie den Pfad der Windows 95 Dateien (CAB Dateien) ein und klicken Sie auf OK. Bei HP-Systemen mit vorgeladenem Windows 95 ist dies der Pfad **C:\WINDOWS\OPTIONS\CABS**.
Klicken Sie auf Ja, wenn Windows Sie zu einen Reboot-Vorgang auffordert.

Bestätigung der Installation

Befolgen Sie die folgenden Schritte, um zu überprüfen, daß die Network Interface Card korrekt auf einem PC installiert wurde, der mit Windows 95 betrieben wird:

- 1 Doppelklicken Sie auf die Ikone **Arbeitsplatz**.
- 2 Doppelklicken Sie auf die Ikone **Systemsteuerung**.
- 3 Doppelklicken Sie auf die Ikone **System**. Ein Fenster mit den **Systemeigenschaften** erscheint.
- 4 Klicken Sie auf den **Geräte-Manager**. Es erscheint eine Liste mit Geräten, die nach Typ geordnet sind.
- 5 Doppelklicken Sie auf **Netzwerkadapter**. Es erscheint der Name der installierten Network Interface Card: 3Com EtherLink XL Adapter (3C905B).
Wenn dieser Name nicht oder mit einem gelben Ausrufezeichen erscheint, befolgen Sie folgendes Verfahren zur Fehlerbehebung:
 - a Klicken Sie im **Geräte-Manager** auf **Andere Geräte**.
 - b Klicken Sie auf **PCI Ethernet Controller** oder auf den duplizierten Eintrag **3C905B-TX NIC**.
 - c Klicken Sie auf **Entfernen**.
 - d Starten Sie Ihren PC neu.

Installation der Software und Aktualisierung auf einem Windows NT 4.0 System

In diesem Abschnitt wird die Installation des Netzwerktreibers auf einer PC Workstation beschrieben, die unter Windows NT Version 4.0 läuft. Bevor Sie hiermit beginnen, müssen Sie sich die *EtherDisk* Diskette #2 sowie die Windows NT Installationsdateien besorgen (sie sind auf Systemen mit vorinstalliertem Windows NT 4.0 unter **C:\I386** gespeichert).

Falls das Windows NT Netzwerk noch nicht installiert ist, müssen Sie außerdem die folgenden Informationen von Ihrer MIS-Abteilung erhalten:

- Ob Sie mit einem LAN oder einem Modem arbeiten
- Das im Microsoft Windows Netzwerk verwendete Protokoll (typischerweise TCP/IP oder NetBEUI)
- Der Name der Windows NT Server Domain, zu der Ihre Arbeitsgruppe gehört
- Ihre IP-Adresse, falls Sie nicht mit DHCP arbeiten

Installation des Treibers

Befolgen Sie die folgenden Schritte, um den Netzwerktreiber auf einem PC mit Windows NT Version 4.0 zu installieren:

- 1 Starten Sie den PC neu und starten Sie Windows NT.
- 2 Doppelklicken Sie in der **Systemsteuerung** auf **Netzwerk**.
- 3 Klicken Sie im **Netzwerk**-Fenster auf den Button **Hinzufügen....**
- 4 Klicken Sie im Fenster **Netzwerk-Komponententyp Auswählen** auf **Adapter** und klicken Sie anschließend auf den Button **Hinzufügen....**
- 5 Klicken Sie im Fenster **Netzwerkadapter Auswählen** auf den Button **Laufwerk....Have Disk...** button.
- 6 Schieben Sie die *EtherDisk* Diskette #2 in das Laufwerk A ein und klicken Sie auf OK im Fenster **Diskette einschieben**.
- 7 Wählen Sie **3Com EtherLink Adapter (3C905B)** im Fenster **OEM Option Auswählen**.

- 8 Klicken Sie auf OK.
- 9 Wählen Sie **Protokoll**.
- 10 Wählen Sie das Ihrem Netzwerk entsprechende Protokoll.
- 11 Klicken Sie auf Schließen im Fenster **Netzwerk-Einstellungen**.
Geben Sie die von Ihrer MIS-Abteilung gelieferten Informationen ein, wenn Sie um Netzwerk-Informationen gebeten werden.
Windows NT fordert Sie auf, den PC zu rebooten.
- 12 Klicken Sie auf Ja, um Ihren PC neuzustarten.
Die Installation des Treibers ist abgeschlossen.
Doppelklicken Sie auf die **Netzwerk**-Ikone in der **Systemsteuerung**, um die erfolgreiche Installation zu überprüfen. Doppelklicken Sie auf **Adapter**. In der Liste **Netzwerkadapter** sollte **3Com EtherLink XL Adapter** erscheinen.

VORSICHT

Wenn auf dem PC bereits ein Service Pack installiert war, bevor die Network Interface Card installiert wurde, muß das Service Pack nochmals installiert werden.

Bei manchen Plattformen müssen Sie ebenfalls die Videotreiber neu installieren. Informationen hierzu finden Sie in der Dokumentation.

Aktualisieren des Treibers

Befolgen Sie die untenstehenden Anweisungen, wenn Sie bereits den 3C905B-TX Netzwerktreiber installiert haben und ihn aktualisieren wollen.

- 1 Installieren Sie wie oben beschrieben die Network Interface Card und schließen Sie sie an das Netzwerk an.
- 2 Starten Sie den PC neu und starten Sie Windows NT.
- 3 Doppelklicken Sie in der **Systemsteuerung** auf **Netzwerk**.
- 4 Klicken Sie im **Netzwerk**-Fenster auf **Adapter**.

- 5 Wählen Sie 3Com EtherLink XL NIC.
- 6 Klicken Sie auf Aktualisieren.
- 7 Legen Sie die *EtherDisk* Diskette #2 ein. Der Treiber wird automatisch aktualisiert.

VORSICHT

Wenn auf dem PC bereits ein Service Pack installiert war, bevor die Network Interface Card installiert wurde, muß das Service Pack nochmals installiert werden.

Bei manchen Plattformen müssen Sie ebenfalls die Videotreiber neu installieren. Informationen hierzu finden Sie in der Dokumentation.

Überprüfen der Installation

Testen Sie, ob die Karte auf dem Netzwerk arbeitet, indem Sie ein anderes Netzwerk-Gerät aufsuchen oder eine Netzwerk-Operation durchführen. Schlagen Sie bei auftretenden Problemen im nachfolgenden Abschnitt "Fehlersuche" nach.

Fehlersuche

Die 3C905B-TX Karte funktioniert nicht

Versuchen Sie die folgenden Maßnahmen, wenn Ihre Network Interface Card nicht funktioniert:

- Prüfen Sie, ob:
 - die Karte korrekt installiert ist (siehe “Installieren der Network Interface Card” auf Seite 7).
 - die LAN-spezifischen Felder im HP PC Setup Programm korrekt gesetzt wurden (siehe “Aktualisieren der LAN-spezifischen Felder im HP PC Setup Programm” auf Seite 10).
 - die Schritte der Software-Installation befolgt wurden (siehe “Installation der Software” auf Seite 11).
- Überprüfen Sie die Netzwerkkabel. Achten Sie insbesondere darauf, daß die Stecker gesichert und die Kabel nicht beschädigt sind. Wenn Sie lose Verbindungen entdecken, bringen Sie sie in Ordnung und versuchen Sie anschließend, ob Ihr PC mit dem Netzwerk kommunizieren kann.
- Überprüfen Sie, daß die grüne Leuchtdiode entweder der 10 LNK oder der 100 LNK auf der Rückseite der 3C905B-TX NIC leuchtet (siehe “Spezifikationen der 3C905B-TX NIC” auf Seite 18). Die grüne Leuchtdiode auf der Rückseite der Karte ist ausgeschaltet, wenn keine Netzwerkverbindung besteht (wenn das LAN-Kabel z.B. nicht mit dem Netzwerk-Hub verbunden ist).
- Prüfen Sie bei NT 4.0 Systemen, daß Ihr Service Pack neu installiert wurde. Installieren Sie es im Zweifelsfall nochmals.

Der PC kann nicht über das Netzwerk gestartet oder aufgeweckt werden

Prüfen Sie, ob das Kabel des WOL-Steckers mit der Network Interface Card und der Hauptplatine des PCs verbunden ist.

- Wenn der PC ausgeschaltet wurde (z.B. durch einen Stromausfall oder durch Entfernen des Netzkabels), kann das Remote Power On (RPO) nicht funktionieren. Hierzu müssen Sie zunächst den PC einschalten, Windows 95 oder NT 4.0 booten lassen und anschließend den PC herunterfahren.
- Prüfen Sie, ob das Kabel des WOL-Steckers mit der Network Interface Card und der Hauptplatine des PCs verbunden ist.
- Prüfen Sie, ob die LAN-spezifischen Felder im HP PC Setup Programm korrekt gesetzt wurden (siehe "Aktualisieren der LAN-spezifischen Felder im HP PC Setup Programm" auf Seite 10).

HINWEIS

RPO ist nur unter Windows 95 und Windows NT 4.0 verfügbar.

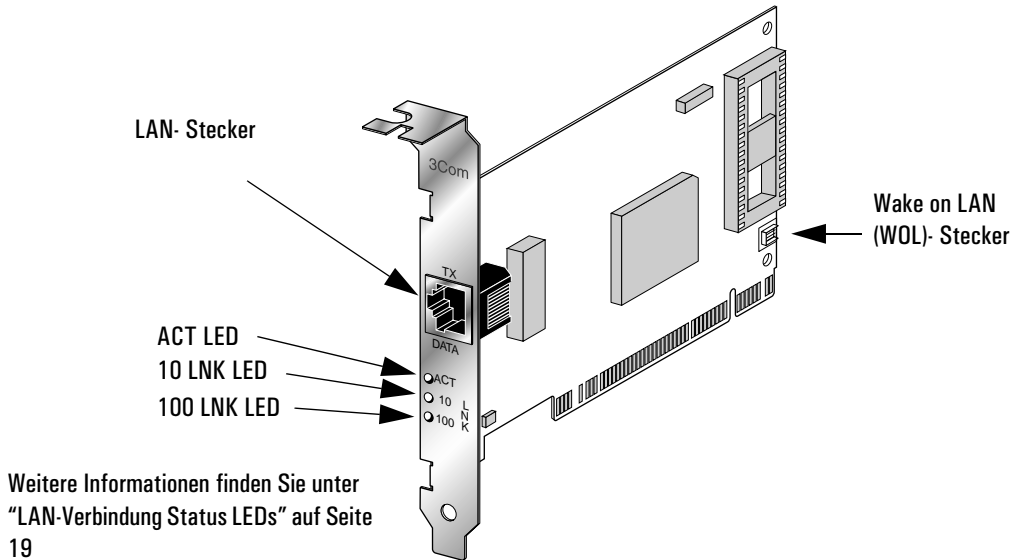
HP Kundenservice

Die neuesten Treiber und Programme finden Sie auf HPs Website unter:

<http://www.hp.com/go/vectrasupport>

Spezifikationen der 3C905B-TX NIC

Physikalisches Layout



Spezifikationen

Netzwerk-Schnittstelle	<ul style="list-style-type: none">• 10 Mbps Ethernet 10BASE-T: Ethernet IEEE 802.3 Industriestandard für ein 10 Mbps Grundband CSMA/CD Local Area Network.• 100 Mbps Ethernet 100BASE-TX: Ethernet IEEE 802.3u Industriestandard für ein 100 Mbps Grundband CSMA/CD Local Area Network.
Abmessungen	<ul style="list-style-type: none">• Höhe: 8.57 cm• Länge: 12.07 cm
Betriebsbedingungen	<ul style="list-style-type: none">• Betriebstemperatur: 0° bis 70° C• Feuchtigkeit: 10 bis 90%, nicht kondensierend

Spannungsversorgung	<ul style="list-style-type: none"> Versorgungsspannung: +5 V ± 5% @ max. 650 mA
---------------------	--

LAN-Verbindung Status LEDs

Auf der Rückseite der 3C905B-TX NIC befinden sich drei LEDs, die den Status der LAN-Verbindung folgendermaßen anzeigen:

LED	Beschreibung	Blinkend	Dauerlicht	Ausgeschaltet
10 LNK	Grün: Verbindung besteht	Polarität vertauscht	Gute 10BASE-T Verbindung zwischen NIC und Hub	Keine Verbindung zwischen NIC und Hub
100 LNK	Grün: Verbindung besteht	Polarität vertauscht	Gute 100BASE-TX Verbindung zwischen NIC und Hub	Keine Verbindung zwischen NIC und Hub
ACT	Gelb: Schnittstellen- Austausch (für beide Geschwindigkeiten)	Netzwerkaustausch im Gange	Umfangreicher Netzwerkaustausch	Kein Austausch

Informationen zur Konformität

KONFORMITÄTSERKLÄRUNG
Entsprechend ISO/IEC Guide 22 und EN 45014

Herstellername: HEWLETT-PACKARD
Herstelleradresse: 5 Avenue Raymond Chanas
38053 Grenoble Cedex 09
FRANKREICH

erklärt, daß das Produkt: **Produktname:** HP 10/100 3Com 3C905B-TX Network Interface Card
Modellnummer: D6500A & D6509A

den folgenden Produktspezifikationen entspricht:

SICHERHEIT International: IEC 950:1991 + A1 + A2 + A3 + A4
Europa: EN 60950:1992 + A1 + A2 + A3

EMC CISPR 22:1993 + A1 / EN 55022:1994 Class B ¹⁾
EN 50082-1:1992
IEC 801-2:1992 / prEN 55024-2:1992 - 4kV CD, 8kV AD
IEC 801-3:1984 / prEN 55024-3:1991 - 3V/m
IEC 801-4:1988 / prEN 55024-4:1992 - 0.5 kV Signalleitungen,
1 kV Netzleitungen

IEC 555-2:1982 + A1:1985 / EN60555-2:1987
IEC 1000-3-3:1994 / EN61000-3-3:1995

FCC Title 47 CFR, Part 15 Class B ²⁾ / ICES-003, Issue 2 / VCCI-2 ¹⁾
AS / NZ 3548:1992

Weitergehende Informationen: Dieses Produkt entspricht den Anforderungen der folgenden Direktiven und trägt die entsprechenden EC-Markierungen:
EMC Direktive 89/336/EEC, geändert durch die Direktive 93/68/EEC. Niederspannungsdirektive 73/23/EEC.

¹⁾ Das Produkt wurde in einer typischen Konfiguration mit Hewlett-Packard Personal Computer Systemen getestet.

²⁾ Dieses Gerät entspricht Part 15 der FCC Bestimmungen. Der Betrieb entspricht folgenden Bedingungen: (1) Dieses Gerät darf schädlichen Interferenzen erzeugen, und (2) dieses Gerät muß jegliche empfangenen Interferenzen akzeptieren, einschließlich solchen, die seinen Betrieb beeinträchtigen.

Grenoble
Mai 1998

Jean-Marc JULIA
Quality Manager



For Compliance Information ONLY, contact:
Hewlett-Packard Company, Corporate Product Regulations Manager,
3000 Hanover Street, Palo Alto, CA 94304. (Phone: (415) 857-1501)

HP-Hardware-Garantie

Dieses HP-Zubehör ist durch eine eingeschränkte Hardware-Garantie für einen Zeitraum von einem Jahr abgedeckt, gültig ab Kaufdatum durch den ursprünglichen Endbenutzer.

Ein defektes Zubehörteil wird von Hewlett-Packard repariert oder durch eine neue Einheit des gleichen oder eines äquivalenten Typs ersetzt.

Wenn dieses Zubehör zusammen mit einem HP Vectra Personal Computer oder einer HP Kayak PC Workstation gekauft wurde, wird es von der Garantie dieses Computers oder dieser Workstation gedeckt, wobei deren Servicebedingungen und Garantiezeiträume zur Anwendung kommen.

Garantieeinschränkungen, Kundenverantwortlichkeiten und sonstige Garantiebestimmungen finden Sie in der Garantieerklärung Ihres HP Personal Computers oder Ihrer PC Workstation.

HP 10/100 3Com 3C905B-TX Network Interface Card Installationsleitung

HP-Hardware-Garantie

Guide d'installation de la carte
d'interface réseau HP 10/100 3Com
3C905B-TX

Notice

Les informations contenues dans ce document peuvent subir des modifications sans préavis.

Hewlett-Packard ne donne aucune garantie quant à l'utilisation de ce matériel, y compris, mais non limité à, les garanties commerciales et d'aptitude implicites pour une raison particulière. Hewlett-Packard ne sera pas tenu pour responsable des erreurs contenues dans le la suite du document ou pour tout dommage accessoire ou conséquent en relation avec la fourniture, les performances ou l'utilisation de ce matériel.

Hewlett-Packard décline toute responsabilité quant à l'utilisation ou à la fiabilité de ses logiciels livrés avec des équipements qui ne sont pas fournis par Hewlett-Packard.

Ce document contient des informations propriétaires qui sont protégées par copyright. Tous les droits sont réservés. Aucune partie de ce document ne doit être photocopiée, reproduite ou traduite dans une autre langue sans l'obtention au préalable d'une autorisation écrite de Hewlett-Packard Company.

Acrobat[®] et Adobe[®] sont des marques d'Adobe Systems Incorporated et peuvent être des marques déposées dans certaines juridictions.

3Com[®] et EtherDisk[®] sont des marques déposées aux Etats Unis de 3Com Corporation.

Magic Packet[™] et PCnet[™] sont des marques déposées aux Etats Unis d'AMD Corporation.

Microsoft[®], Windows[®], et Windows NT[®] sont des marques déposées aux Etats Unis de Microsoft Corporation.

Hewlett-Packard France
Commercial Computing Division
Technical Marketing
5 Avenue Raymond Chanas
38053 Grenoble Cedex 9
France

© 1998 Hewlett-Packard Company

Les extraits contenus dans ce document ont été reproduits avec l'autorisation de 3Com Corporation

© 1998 3Com Corporation

Que contient le kit Réseau ?

Le kit Réseau comprend ::

Composants	Quantité dans le kit Réseau	
	D6500A	D6509A
Carte interface réseau HP 10/100 3Com 3C905B-TX (NIC)	1	10
Disquettes du pilote LAN	2	2
Câble Wake On LAN	1	10
<i>Ce Guide d'installation</i>	1	1

Caractéristiques d'installation

Les systèmes d'exploitation suivants et les plateformes d'ordinateur HP peuvent être utilisés pour l'installation de la carte d'interface réseau.

Systèmes d'exploitation supportés

- Windows 95 SR2 ou plus
- Windows NT 4.0 et le Service Pack 3

Les disquettes d'installation du pilote contiennent des pilotes pour d'autres systèmes d'exploitation de réseau. Pour plus d'informations concernant l'installation de ces pilotes, consultez les fichiers Readme qui se trouvent dans les disquettes d'installation. Les dernières versions des pilotes sont disponibles sur le site internet de HP à l'adresse :

<http://www.hp.com/go/vectrasupport>

Plateformes supportées

Pour savoir sur quels ordinateurs vous pouvez installer une carte 3C905B-TX, consultez les sites internet de HP suivants :

- Pour les ordinateurs Vectra Corporate
<http://www.hp.com.go/vectraaccessories>
- Pour les stations de travail Kayak
<http://www.hp.com.go/kayakaccessories>

Service Pack NT

Si un Service Pack NT est déjà installé sur l'ordinateur, il devra être réinstallé après l'installation de la carte d'interface réseau (NIC) et du logiciel. Si vous utilisez le logiciel NT 4.0 de HP préinstallé, vous trouverez la dernière version du Service Pack dans le répertoire

C:\I386\SPx

Disquettes originales du système d'exploitation

Lors de l'installation du logiciel, vous aurez besoin des disquettes ou du CD-ROM d'origine de votre système d'exploitation.

Lorsque vous utilisez le logiciel préinstallé du système d'exploitation de HP, vous trouverez les disquettes originales dans les répertoires suivants :

- **C:\I386** (Windows NT 4.0)
- **C:\WINDOWS\OPTIONS\CABS** (Windows 95)

Pilotes de réseau supportés

Les pilotes de réseau suivants sont supportés par Hewlett-Packard:

Système d'exploitation du réseau	README (pour l'installation des pilotes)	Nom du pilote de réseau
Windows 95	W95NDIS.TXT	EL90XND3.SYS EL90XND4.SYS
Windows 95 NDIS 2	W95NDIS.TXT	EL90X.DOS
Windows NT 3.51	WINNT.TXT	EL90XND3.SYS
Windows NT 4.0	WINNT.TXT	EL90XND4.SYS
NetWare Client 32 ODI	CLIENT32.TXT	3C90X.LAN
NetWare OS/2	NWOS2ODI.TXT	3C90X.SYS
NetWare client for DOS, Windows 3.1 et Windows pour groupes de travail	AUTOLINK.TXT (répertoire NETWARE)	3C90X.COM
Windows pour groupes de travail (NetWare)	WFVNETWR.TXT	3C90X.COM
Windows pour groupes de travail (NDIS 2)	WFVNDIS2.TXT	EL90X.DOS
Windows pour groupes de travail (NDIS 3)	WFVNDIS3.TXT	EL90X.386
Microsoft LAN Manager	LANMAN.TXT	EL90X.DOS

Pilotes de réseau non supportés

Les pilotes de réseau suivants sont fournis sur des disquettes *EtherDisk* mais ne sont pas supportés par Hewlett-Packard:

Système d'exploitation du réseau	README (pour l'installation des pilotes)	Nom du pilote de réseau
Netware 4.1 Server	NETWARE.41X	3C90X.LAN
Banyan VINES	BANYAN.TXT	EL90X.DOS
Artisoft LANtastic	LANTASTK.TXT	EL90X.DOS
IBM LAN SERVER (DOS)	LANSRVR.TXT	EL90X.DOS
IBM LAN SERVER (OS/2)	LANSRVR.TXT	EL90X.OS2
DEC PATHWORKS	PATHWORK.TXT	EL90X.DOS (DOS) et 3C90X.COM (Netware)

Généralités sur la procédure d'installation

ATTENTION

Votre ordinateur et votre carte d'interface réseau peuvent être définitivement endommagés par l'électricité statique. Avant de manipuler la carte, touchez la partie non peinte du châssis métallique de votre ordinateur. Assurez-vous de maintenir la mise à la terre en portant autour du poignet un bracelet qui vous relie au châssis. Tenez la carte par l'arrière et le bord supérieur. Ne touchez pas au connecteur de carte.

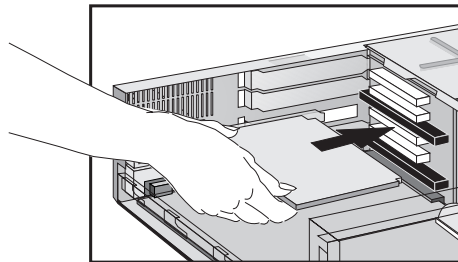
L'installation de la carte NIC 3C905B-TX s'effectue en quatre étapes. Vous devez:

- 1 Installer la carte dans votre ordinateur.
- 2 Connecter la carte au réseau.
- 3 Mettre à jour les champs spécifiques du LAN dans l'utilitaire *Setup* de l'ordinateur HP.
- 4 Installer le logiciel du pilote.

Installation de la carte d'interface réseau

Pour plus d'informations concernant l'installation d'une carte accessoire, consultez le *Guide de l'utilisateur* de votre PC. La procédure suivante vous servira de guide :

- 1 Le PC étant éteint, débranchez le cordon d'alimentation et toute autre connexion à un réseau de télécommunications, puis retirez le capot.
- 2 Choisissez un emplacement PCI libre. Si vous ne savez pas reconnaître un emplacement PCI, consultez la documentation de votre ordinateur.
- 3 Retirez le couvercle métallique de l'emplacement.
- 4 Selon le modèle du PC, vous pourriez avoir besoin de retirer le support de fixation de l'emplacement. Si nécessaire, consultez le *Guide de l'utilisateur* de votre ordinateur.
- 5 Insérez la carte dans l'emplacement accessoire sans la tordre.



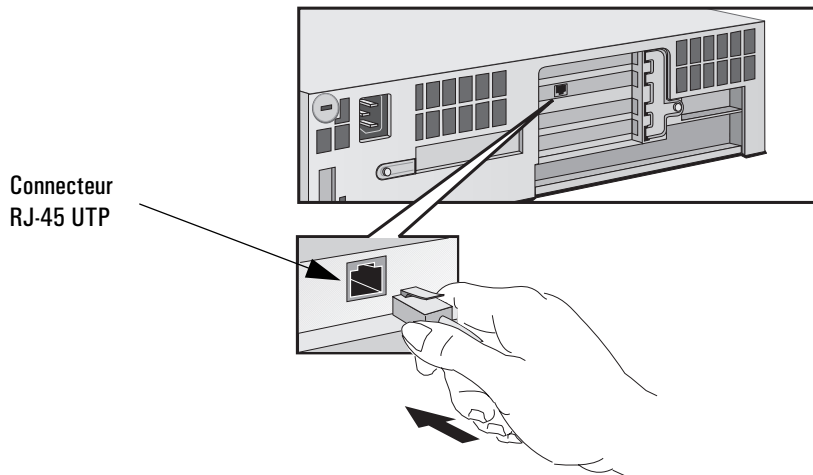
La carte peut être installée dans un modèle mini-tour ou dans un modèle desktop.

- 6 Branchez le câble Wake on LAN sur les connecteurs de la carte NIC et le backplane ou sur la carte mère.
Pour identifier la position du connecteur Wake on LAN sur la carte NIC, consultez "Caractéristiques de la carte NIC 3C905B-TX" page 17.
Référez-vous à la documentation de votre ordinateur pour trouver la position du connecteur Wake on LAN sur la carte mère ou sur le backplane.

- 7 Fixez la carte en remettant la vis du couvercle de l'emplacement ou en replaçant le support de fixation et sa vis selon le modèle.
- 8 Remettez le capot. Branchez le cordon d'alimentation et les connexions au réseau téléphonique.

Connexion au réseau

Reliez le câble du réseau au connecteur RJ-45 UTP (paire torsadée non gainée) du LAN. La carte LAN est compatible avec des opérations de 10 Mo/s 100 Mo/s.



Sortir le système du mode veille à distance

La carte d'interface réseau peut activer un ordinateur en mode veille si elle reçoit une séquence spéciale (connue sous le nom de Magic Packet™) à partir du réseau.

Mise à jour des champs spécifiques du LAN dans l'utilitaire *Setup* d'un ordinateur HP

Après avoir physiquement installé la carte d'interface réseau dans l'ordinateur, vous devez à présent vérifier que le BIOS est correctement configuré pour utiliser la carte. Pour cela vous devez utiliser l'utilitaire *Setup* de l'ordinateur HP.

Pour démarrer l'utilitaire Setup du PC HP

- 1 Redémarrez le PC.
- 2 Appuyez sur **(F2)** lorsque la commande **F2=Setup** s'affiche sur l'écran pendant le cycle de démarrage du PC. La fenêtre de l'utilitaire *Setup* du PC HP s'affiche.

Quels sont les champs qui nécessitent une mise à jour ?

Vous devez contrôler et, si nécessaire, mettre à jour tous les champs en relation avec le LAN.

La liste donnée ci-dessous représente un guide pour la configuration d'une interface LAN. Les noms des champs utilisés dans votre version du programme Setup peuvent être légèrement différents de ceux donnés ci-dessous.

Si vous voulez démarrer à partir du réseau :

- Vérifiez que **Security → Boot Devices Security → Start from Network** est activé.
- Changez l'ordre de démarrage de telle sorte que le réseau apparaissent en premie (**Advanced → Advanced CMOS Setup → 1st Boot Device: Network**).

REMARQUE

Vous ne pouvez démarrer un PC à partir du réseau que s'il possède une ROM de démarrage intégrée dans le BIOS (comme pour les ordinateurs HP Vectra VL de la série 8, par exemple) ou s'il est équipé d'une carte NIC avec une puce ROM de démarrage intégrée.

Sur d'autres plateformes telles que les ordinateurs HP Vectra VL Série 7, VE Série 7 ou Série 8, une puce ROM de démarrage est nécessaire pour démarrer à partir du réseau. Ce composant peut être commandé chez 3Com.

Si vous voulez activer votre PC en état de veille à partir du réseau :

- Vérifiez que le PC peut être sorti de son état de veille à partir du réseau (**Power → Suspend Wakeup → Network [Enabled]**).

Si vous voulez mettre votre PC sous tension à partir du réseau :

- Vérifiez que votre PC peut être mis sous tension à partir du réseau (**Power → Power-On → Network [Enabled]**).

Procédure d'installation du logiciel

ATTENTION

Assurez-vous d'avoir installé la carte d'interface réseau avant d'installer le logiciel du pilote du réseau.

Installation du logiciel sous Windows 95

Ce paragraphe vous explique comment installer le pilote du réseau lorsque votre ordinateur fonctionne sous Windows 95 :

- 1 Démarrez votre ordinateur. Windows 95 détectera automatiquement la présence de la carte d'interface réseau.
- 2 Sélectionnez **Driver** dans la disquette fournie par le fabricant de l'équipement puis cliquez sur OK.

- 3 Insérez la disquette *EtherDisk #2* dans le lecteur de disquettes. Si la disquette est dans le lecteur A, cliquez sur OK.
Sinon, sélectionnez la lettre du lecteur approprié puis cliquez sur OK.
Une fois les fichiers d'installation de 3Com lus, Windows 95 vous demande les fichiers d'installation du réseau pour Windows 95.
- 4 Entrez l'endroit où se trouvent les fichiers Windows 95 (fichiers CAB) puis cliquez sur OK. Dans les systèmes HP avec Windows 95 préinstallé, le chemin d'accès est **C : \WINDOWS \OPTIONS \CABS**. Si Windows vous demande de redémarrer, cliquez sur Oui.
L'installation du pilote est à présent terminée.

Confirmation de l'installation

Suivez la procédure ci-dessous pour vérifier que la carte d'interface réseau a été installée correctement sur un PC équipé de Windows 95 :

- 1 Double-cliquez sur l'icône **Poste de travail**.
- 2 Double-cliquez sur l'icône **Panneau de configuration**.
- 3 Double-cliquez sur l'icône **Système**. La boîte de dialogue **Propriétés du système** apparaît.
- 4 Cliquez sur l'onglet **Gestionnaire de périphériques**. Une liste de périphériques rangés par type apparaît.
- 5 Double-cliquez sur **Cartes de réseau**. Le nom de la carte d'interface réseau installée apparaît :
3Com EtherLink XL Adapter (3C905B).
Si ce nom n'apparaît pas ou si un point d'exclamation jaune apparaît à son côté, suivez la procédure ci-dessous pour la détection du problème :
 - a Dans la fenêtre **Gestionnaire de périphériques**, double-cliquez sur **Autres périphériques**.
 - b Cliquez sur PCI Ethernet Controller ou sur l'entrée 3C905B-TX NIC.
 - c Cliquez sur **Supprimer**.
 - d Redémarrez votre PC.

Installation du logiciel et mise à jour sous Windows NT 4.0

Ce paragraphe décrit l'installation du pilote de réseau sur une station de travail PC fonctionnant sous Windows NT version 4.0. Avant de commencer, munissez-vous de la disquette EtherDisk N°2 et des fichiers d'installation de Windows NT (stockés sous **C:\I386** dans les systèmes avec Windows NT 4.0 préinstallé).

Si Windows NT Networking n'est pas installé, vous aurez également besoin des informations suivantes que vous demanderez à votre service informatique.

- Si vous êtes sur un LAN ou que vous vous connectez sur un LAN à travers un modem
- Le protocole utilisé par Microsoft Windows Network (généralement TCP/IP ou NetBEUI)
- Le nom du domaine serveur de Windows NT ou celui du groupe de travail auquel vous appartenez
- Votre adresse IP si vous n'utilisez pas DHCP

Installation du pilote

Suivez la procédure ci-dessous pour installer le pilote du réseau sur un ordinateur fonctionnant sous Windows NT version 4.0 :

- 1 Redémarrez le PC et exécutez Windows NT.
- 2 Dans **Panneau de configuration**, double-cliquez sur **Réseau**.
- 3 Dans la fenêtre **Réseau**, cliquez sur l'onglet **Cartes**.
- 4 Dans la fenêtre **Cartes réseau**, cliquez sur le bouton **Ajouter...**
- 5 Dans la fenêtre **Sélectionner Carte réseau**, cliquez sur le bouton **Disquette fournie...**
- 6 Insérez la disquette *EtherDisk* #2 dans le lecteur A puis cliquez sur OK dans la fenêtre **Insérez une disquette**.
- 7 Dans la boîte de sélection des OEM, sélectionnez 3Com EtherLink Adapter (3C905B).
- 8 Cliquez sur OK.

- 9 Sélectionnez l'onglet **Protocoles**.
- 10 Sélectionnez le protocole qui correspond à votre réseau et cliquez sur OK.
- 11 Dans la fenêtre **Réseau**, cliquez sur Fermer.
S'il vous est demandé de fournir les informations concernant le réseau, entrez celles fournies par votre service informatique.
Windows NT vous demande de redémarrer.
- 12 Cliquez sur Oui pour redémarrer votre PC.
L'installation du pilote est à présent terminée.
Pour vérifier si l'installation a été effectuée correctement, double-cliquez sur l'icône **Réseau** dans **Panneau de configuration**.
Double-cliquez sur Cartes. L'adaptateur 3Com EtherLink XL doit apparaître dans la liste des adaptateurs de réseau.

ATTENTION

Si un Service Pack avait déjà été installé sur un PC avant l'installation de la carte d'interface réseau, le Service Pack devra être réinstallé.

Sur certaines plateformes vous devrez également réinstaller les pilotes vidéo. Consultez la documentation de votre PC pour plus d'informations.

Mise à jour du pilote

Si vous êtes déjà équipé du pilote de réseau 3C905B-TX et désirez le mettre à jour, suivez les instructions données ci-dessous :

- 1 Installez la carte d'interface réseau et connectez-la au réseau comme expliqué précédemment.
- 2 Redémarrez le PC et exécutez Windows NT.
- 3 Dans **Panneau de configuration**, double-cliquez sur **Réseau**.
- 4 Dans la fenêtre **Réseau**, double-cliquez sur l'Adaptateur.
- 5 Sélectionnez la carte d'interface réseau 3Com EtherLink XL NIC.

- 6 Cliquez sur Mettre à jour.
- 7 Insérez la disquette *EtherDisk* #2. Le pilote sera automatiquement mis à jour.

ATTENTION

Si un Service Pack avait déjà été installé sur un PC avant l'installation de la carte d'interface réseau, le Service Pack devra être réinstallé.

Sur certaines plateformes vous devrez également réinstaller les pilotes vidéo. Consultez la documentation de votre PC pour plus d'informations.

Vérification de l'installation

Vérifiez si la carte fonctionne sur le réseau en recherchant un autre périphérique en réseau ou en effectuant une opération de réseau. S'il y a un problème, consultez le paragraphe "Détection des défauts" qui suit.

Détection des défauts

La carte 3C905B-TX ne fonctionne pas

Si votre interface réseau ne fonctionne pas, essayez ce qui suit :

- Vérifiez que :
 - La carte est correctement installée (référez-vous à “Installation de la carte d'interface réseau” page 7).
 - Les champs spécifiques du LAN dans l'utilitaire *Setup* du PC HP sont correctement configurés (référez-vous à “Mise à jour des champs spécifiques du LAN dans l'utilitaire Setup d'un ordinateur HP” page 9).
 - La procédure d'installation du logiciel a été suivie correctement (référez-vous à “Procédure d'installation du logiciel” page 10).
- Vérifiez les câbles du réseau. Vérifiez, en particulier, que les connexions du câble du réseau sont sûres et que les câbles ne sont pas endommagés. Si vous trouvez des connexions desserrées ou des câbles endommagés, réparez-les et vérifiez que votre PC peut communiquer sur le réseau.
- Vérifiez que le voyant vert du 10 LNK ou 100 LNK qui se trouve sur le panneau arrière de la carte NIC C905B-TX est allumé (référez-vous à “Caractéristiques de la carte NIC 3C905B-TX” page 17). Le voyant vert est éteint lorsqu'il n'y a aucune liaison avec le réseau, par exemple, lorsque le câble LAN n'est pas connecté au HUB du réseau.
- Pour les systèmes NT 4.0, vérifiez que votre Service Pack a été réinstallé. En cas de doute, réinstallez le Service Pack.

Le PC ne peut pas être démarré ou sorti du mode veille à partir du réseau

Vérifiez que le câble du connecteur WOL est relié à la carte d'interface réseau et à la carte système du PC.

- Si le PC a été mis hors tension (à cause d'une panne d'électricité, par exemple ou parce que le cordon d'alimentation a été débranché), Le démarrage à distance RPO (Remote Power On) ne fonctionnera pas. Pour réactiver le RPO, vous devez d'abord alimenter le PC, laisser Windows 95 ou NT 4.0 démarrer puis éteindre le PC.
- Vérifiez que le câble du connecteur WOL est relié à la carte d'interface réseau et à la carte système du PC.
- Vérifiez que les champs spécifiques du LAN dans l'utilitaire Setup du PC de HP sont configurés correctement (référez-vous à "Mise à jour des champs spécifiques du LAN dans l'utilitaire Setup d'un ordinateur HP" page 9).

REMARQUE

La fonction de démarrage à distance (RPO) ne fonctionne que sous Windows 95 et Windows NT 4.0.

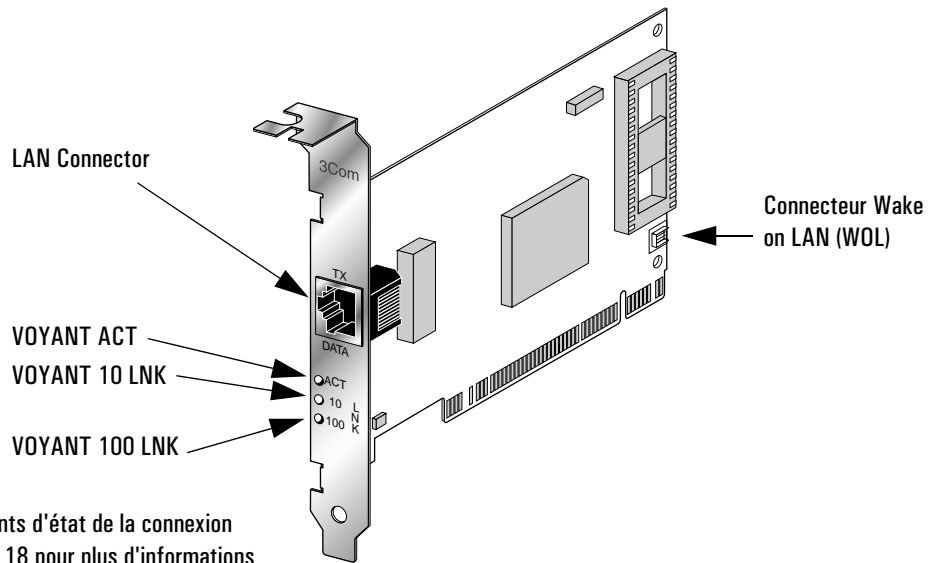
Services de support technique de HP

Les dernières versions de pilotes et d'utilitaires sont disponibles sur le site Web de HP à l'adresse :

<http://www.hp.com/go/vectrasupport>

Caractéristiques de la carte NIC 3C905B-TX

Description physique



Voir "Voyants d'état de la connexion LAN" page 18 pour plus d'informations

Caractéristiques

Interface réseau	<ul style="list-style-type: none"> Ethernet 10BASE-T 10 Mbps : Ethernet de standard IEEE 802.3 pour un LAN CSMA/CD 10 Mbps Ethernet 100BASE-TX 100 Mbps: Ethernet de standard IEEE 802.3u pour un LAN CSMA/CD 100 Mbps.
Dimensions	<ul style="list-style-type: none"> Hauteur: 8,57 cm Longueur: 12,07 cm
Environnement	<ul style="list-style-type: none"> Température de fonctionnement : de 08 à 708 C Humidité : de 10 à 90% sans condensation

Alimentation électrique	<ul style="list-style-type: none"> Tension de fonctionnement : +5 V \pm 5% @650 mA max
-------------------------	--

Voyants d'état de la connexion LAN

Trois voyants lumineux situés à l'arrière de la carte NIC 3C905B-TX donnent l'état de la connexion LAN :

Voyant	Description	Clignotant	Allumé	Eteint
10 LNK	Vert : Intégrité de la liaison	Polarité inversée	Bonne connexion 10BASE-T entre la carte NIC et le Hub	Pas de connexion entre la carte NIC et le Hub
100 LNK	Vert : Intégrité de la liaison	Polarité inversée	Bonne connexion 100BASE-TX entre la carte NIC et le Hub	Pas de connexion entre la carte NIC et le Hub
ACT	Jaune : Indication du trafic pour chaque vitesse	Présence d'un trafic sur le réseau	Trafic important sur le réseau	Pas de trafic

Informations réglementaires

DECLARATION DE CONFORMITE

Conforme aux normes ISO/IEC Guide 22 et EN 45014

Nom du fabricant : HEWLETT-PACKARD
Adresse du fabricant: 5 Avenue Raymond Chanas
 38053 Grenoble Cedex 09
 FRANCE

Déclare que le produit : **Nom du produit:** Carte d'interface réseau HP 10/100 3Com 3C905B-TX
Référence du modèle: D6500A & D6509A

Conforms to the following Product Specifications:

SECURITE International: IEC 950:1991 + A1 + A2 + A3 + A4
 Europe: EN 60950:1992 + A1 + A2 + A3

EMC CISPR 22:1993+A1 / EN 55022:1994 Class B ¹⁾
 EN 50082-1:1992
 IEC 801-2:1992 / prEN 55024-2:1992 - 4kV CD, 8kV AD
 IEC 801-3:1984 / prEN 55024-3:1991 - 3V/m
 IEC 801-4:1988 / prEN 55024-4:1992 - 0.5 kV (signaux),
 1 kV (alimentation)

IEC 555-2:1982+A1:1985 / EN60555-2:1987
 IEC 1000-3-3:1994 / EN61000-3-3:1995

FCC Titre 47 CFR, Partie 15 Classe B ²⁾ / ICES-003, Article 2 / VCCI-2 ¹⁾
 AS / NZ 3548:1992

Informations complémentaires : Le produit cité ici est conforme aux directives suivantes et porte la marque CE appropriée : La directive CEM 89/336/EEC amendée par la directive 93/68/EEC. La directive concernant la basse tension 73/23/EEC.

¹⁾ Le produit a été testé selon une configuration spécifique avec des ordinateurs personnels Hewlett-Packard.

²⁾ Ce produit est conforme à la réglementation FCC Section 15. Son utilisation est soumise aux deux conditions suivantes : (1) cet équipement ne doit pas produire de parasites dangereux et (2) cet équipement doit pouvoir recevoir toutes sortes d'interférences y compris celles pouvant provoquer un fonctionnement indésirable.

Grenoble
 Mai 1998

Jean-Marc JULIA
 Responsable Qualité



Pour les informations concernant la conformité SEULEMENT, contactez :
 Hewlett-Packard Company, Corporate Product Regulations Manager,
 3000 Hanover Street, Palo Alto, CA 94304. (Téléphone : (415) 857-1501)

Garantie HP

Cet équipement HP est garanti pour une période de 1 an à partir de la date d'achat par l'utilisateur final initial. Le matériel doit être retourné à un revendeur HP ou un service de maintenance agréé par HP.

Hewlett-Packard se réserve le droit de réparer ou remplacer un équipement défectueux par une nouvelle unité soit du même type soit d'un modèle équivalent.

Si cet équipement est acheté et utilisé avec un ordinateur HP Vectra ou avec une station de travail HP Kayak PC, il est alors couvert par la garantie applicable à cet ordinateur ou à cette station de travail (même conditions en ce qui concerne le service et la durée).

Référez-vous aux termes de la garantie fournie avec votre ordinateur HP ou avec votre station de travail HP pour connaître les limites de la garantie, les responsabilités des clients et les autres conditions.

Guía de Instalación de la Tarjeta de
Interfaz de Red HP 10/100 3Com
3C905B-TX

Aviso

La información contenida en este documento puede modificarse sin previo aviso.

Hewlett-Packard no hace garantía ninguna con respecto a este material, inclusive, pero no limitado a las garantías implícitas de comerciabilidad y de aptitud a un propósito específico. Hewlett-Packard no será responsable de errores contenidos en este documento, ni de daños incidentales o consecuentes relacionados con el suministro, la ejecución o el uso de este material.

Hewlett-Packard no asume responsabilidad alguna ni por el uso ni por la seguridad de funcionamiento de su software en equipo no provisto por Hewlett-Packard.

Este documento contiene información protegida por los derechos de autor. Todos derechos son reservados. Ninguna parte de este documento puede ser fotocopiada, reproducida o traducida a otro idioma sin previo permiso por escrito de Hewlett-Packard Company.

Acrobat[®] y Adobe[®] son marcas registradas de Adobe Systems Incorporated y puede que estén registradas en ciertas jurisdicciones.

3Com[®] y EtherDisk[®] son marcas registradas de 3Com Corporation en EE.UU.

Magic Packet[™] y PCnet[™] son marcas registradas de AMD Corporation.

Microsoft[®], Windows[®], y Windows NT[®] son marcas registradas de Microsoft Corporation en EE.UU.

Hewlett-Packard France
Commercial Computing Division
Technical Marketing
5 Avenue Raymond Chanas
38053 Grenoble Cedex 9
Francia

© 1998 Hewlett-Packard Company

Documentación extraída y reimprimida con el permiso de 3Com Corporation

© 1998 3Com Corporation

¿Qué hay en el Network Kit?

El Network Kit incluye los siguientes artículos:

Componente	Cantidad en el Network Kit	
	D6500A	D6509A
HP 10/100 3Com 3C905B-TX tarjeta interfaz de red (NIC)	1	10
Disquetes de driver LAN	2	2
Cable Wake On LAN	1	10
Esta <i>Guía de Instalación</i>	1	1

Requerimientos de instalación

Los siguientes sistemas operativos y plataformas PC HP admiten la instalación de la tarjeta de interfaz de red.

Sistemas Operativos que admiten la instalación

- Windows 95 SR2 ó posterior
- Windows NT 4.0 y Service Pack 3

Los disquetes de instalación del driver contienen drivers para otros sistemas operativos de red. Para más información sobre estos drivers, consulte los archivos léame provistos en los disquetes de instalación. Los drivers más recientes están a su disposición en el sitio Web de HP en la dirección:

<http://www.hp.com/go/vectrasupport>

Plataformas Soportadas

Para saber en cuáles PCs se puede instalar una tarjeta 3C905B-TX, conéctese con los siguientes sitios Web de HP:

- Para los PCs Vectra Corporate
<http://www.hp.com.go/vectraaccessories>
- Para las estaciones de trabajo PC Kayak
<http://www.hp.com.go/kayakaccessories>

NT Service Pack

Si el NT service pack ya está instalado en el PC, se debe reinstalar después de que la Tarjeta de Interfaz de Red (NIC) y su software estén instalados. Cuando se utiliza el software preinstalado HP NT 4.0, el service pack más reciente se encuentra en el directorio

C:\I386\SPx.

Disquetes Principales del Sistema Operativo

Durante la instalación del software, le hará falta tener disponibles los disquetes principales del sistema operativo o el CD-ROM.

Cuando se utiliza el software del sistema operativo HP preinstalado, los disquetes principales se encuentran en los siguientes directorios:

- **C:\I386** (Windows NT 4.0)
- **C:\WINDOWS\OPTIONS\CABS** (Windows 95)

Drivers de Red Soportados

Los siguientes Drivers de Red son Soportados por Hewlett-Packard:

Sistema Operativo de Red	LEAME (para la instalación del driver)	Nombre del Driver de Red
Windows 95	W95NDIS.TXT	EL90XND3.SYS EL90XND4.SYS
Windows 95 NDIS 2	W95NDIS.TXT	EL90X.DOS
Windows NT 3.51	WINNT.TXT	EL90XND3.SYS
Windows NT 4.0	WINNT.TXT	EL90XND4.SYS
NetWare Client 32 ODI	CLIENT32.TXT	3C90X.LAN
NetWare OS/2	NWOS2ODI.TXT	3C90X.SYS
NetWare client for DOS, Windows 3.1, y Windows for Workgroups	AUTOLINK.TXT (directorio NETWARE)	3C90X.COM
Windows for Workgroups (NetWare)	WFVNETWR.TXT	3C90X.COM
Windows for Workgroups (NDIS 2)	WFVNDIS2.TXT	EL90X.DOS
Windows for Workgroups (NDIS 3)	WFVNDIS3.TXT	EL90X.386
Microsoft LAN Manager	LANMAN.TXT	EL90X.DOS

Drivers de Red no Soportados

Los siguientes drivers de red son provistos en los disquetes EtherDisk pero no son soportados por Hewlett-Packard:

Sistema Operativo de Red	LEAME (para la instalación del driver)	Nombre del Driver de Red
Netware 4.1 Server	NETWARE.41X	3C90X.LAN
Banyan VINES	BANYAN.TXT	EL90X.DOS
Artisoft LANtastic	LANTASTK.TXT	EL90X.DOS
IBM LAN SERVER (DOS)	LANSRVR.TXT	EL90X.DOS
IBM LAN SERVER (OS/2)	LANSRVR.TXT	EL90X.OS2
DEC PATHWORKS	PATHWORK.TXT	EL90X.DOS (DOS) y 3C90X.COM (Netware)

Resumen del Procedimiento de Instalación

PRECAUCIÓN

Su PC y su tarjeta de interfaz de red pueden ser dañadas permanentemente por una descarga de electricidad estática. Antes de tocar la tarjeta, toque la parte no pintada del bastidor metálico de su PC. Mantenga el contacto con la tierra poniéndose una pulsera conectada al bastidor. Coja el disquete por los bordes y el espaldarón. No toque el conector del borde.

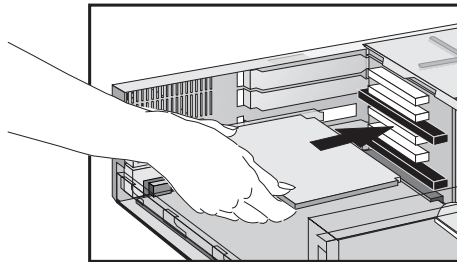
La instalación de la tarjeta 3C905B-TX NIC es un proceso de cuatro etapas. Se debe:

- 1 Instalar la tarjeta en su PC.
- 2 Conectar la tarjeta a la red.
- 3 Actualizar los archivos particulares de LAN en la herramienta HP PC *Setup*.
- 4 Instalar el software del driver.

Instalación de la Tarjeta de Interfaz de Red

La información completa sobre la instalación de una tarjeta suplementaria se encuentra en el manual del usuario de su PC. Las siguientes etapas le servirán de guía:

- 1 Con el PC apagado, desconecte el cable de alimentación y toda conexión de red de telecomunicación, y entonces quite la cubierta.
- 2 Escoja una ranura PCI vacía. Si usted no sabe identificar una ranura PCI, refiérase a la documentación de su PC.
- 3 Quite la tapa metálica de la ranura.
- 4 Dependiendo de su modelo de PC, puede que tenga que quitar el soporte retenedor de la ranura suplementaria. Si es necesario, consulte el manual del usuario de su PC.
- 5 Introduzca la tarjeta en la ranura suplementaria sin torcerla.



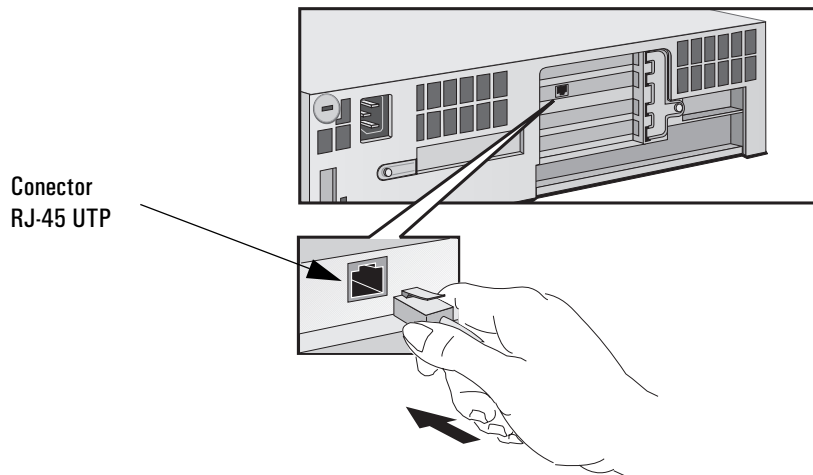
Esta tarjeta se puede instalar en los modelos minitorre o de sobremesa.

- 6 Conecte el cable Wake on LAN a los conectores de la tarjeta NIC y al tablero electrónico o a la tarjeta madre.
Para encontrar la posición del conector Wake on LAN en la tarjeta NIC, consulte las “Especificaciones de la tarjeta 3C905B-TX” en la página 17.
Consulte la documentación de su PC para encontrar la posición del conector Wake on LAN en el tablero electrónico o la tarjeta madre.
- 7 Sujete la tarjeta reponiendo el tornillo de la cubierta de la ranura o el soporte retenedor con su tornillo, como sea adecuado.

- 8 Reponga la cubierta. Reconecte el cable de alimentación y toda conexión de red de telecomunicación.

Conexión a la Red

Conecte el cable de la red al conector LAN RJ-45 UTP (Unshielded Twisted Pair). La tarjeta LAN soporta un funcionamiento a 10 Mbits/s y 100 Mbits/s.



Activador Remoto

La tarjeta de interfaz de red puede activar al PC si recibe una secuencia especial (que se llama Magic Packet™) de la red.

Actualización de los campos especiales LAN en la herramienta HP PC Setup

Habiendo físicamente instalado la tarjeta de interfaz de red en el PC, se debe verificar que el BIOS esté configurado para el uso de la tarjeta. Para efectuar esto, se debe utilizar la utilidad HP PC Setup.

Arranque de la herramienta
HP PC Setup

- 1 Reinicie su PC.
- 2 Pulse **(F2)** cuando **F2=Setup** aparezca en la pantalla durante la rutina de inicio del PC. La ventana inicial de la herramienta HP PC Setup se abrirá.

¿Qué campos necesita
actualizar?

Debe verificar y, si necesario, actualizar cualquier campo que tenga algo que ver con LAN.

La lista siguiente sirve de guía para configurar una interfaz LAN. Puede que los nombres de los campos en la versión de su programa Setup sean un poco diferentes de los que están mencionados abajo.

Si desea arrancar por medio de la red:

- Verifique que **Security → Boot Devices Security → Start from Network** está activado.
- Cambie el orden de arranque para que Network aparezca primero (**Advanced → Advanced CMOS Setup → 1st Boot Device Network**).

NOTA

Sólo se puede arrancar un PC por medio de la red si éste tiene una memoria ROM de arranque integrada en su BIOS (como es el caso, por ejemplo, del PC HP Vectra VL Serie 8) o si tiene incorporada una tarjeta NIC con una micro-plaqueta de arranque colocada.

En otras plataformas, como las de los PCs HP Vectra VL Serie 7, VE Serie 7 ó Serie 8, una micro-plaqueta de arranque le hará falta para poder arrancar por medio de la red. Esta pieza puede ser pedida a 3Com.

Si desea activar al PC por medio de la red:

- Verifique que su PC puede ser activado por medio de la red (**Power → Suspend Wakeup → Network [Enabled]**).

Si desea arrancar su PC por medio de la red:

- Verifique que su PC puede ser arrancado por medio de la red (**Power → Power-On → Network [Enabled]**).

Procedimiento de Instalación del Software

PRECAUCIÓN

Asegúrese de que la tarjeta de interfaz de la red está instalada antes de instalar el software driver de red.

Instalación del Software en un Sistema con Windows 95

Esta sección describe la instalación del driver de la red en un PC ejecutando Windows 95:

- 1 Arranque el PC.
Windows 95 detectará automáticamente la tarjeta de interfaz de red.
- 2 Seleccione **Driver** a partir del disco provisto por el fabricante del hardware y haga clic en OK.
- 3 Introduzca el disquete n° 2 EtherDisk en su unidad de disquetes, y si este se encuentra en la unidad A, haga clic en OK. Si nó, escriba la letra de la unidad correspondiente y haga clic en OK.

- 4 Introduzca el disquete n° 2 *EtherDisk* en su unidad de disquetes, y si este se encuentra en la unidad A, haga clic en OK.
Si nó, escriba la letra de la unidad correspondiente y haga clic en OK.
En cuanto los archivos de instalación 3Com hayan sido leídos, Windows 95 le pedirá los archivos de instalación de red Windows 95.
- 5 Escriba la ubicación de los archivos Windows 95 (archivos CAB), y haga clic en OK. En sistemas HP que tienen Windows 95 preinstalado, se encuentra en **C:\WINDOWS\OPTIONS\CABS**.
Si Windows le pregunta si quiere reiniciar, haga clic en Yes. Esto completa la instalación del controlador.

Confirmación de la Instalación

Efectúe estas etapas para confirmar que la tarjeta de interfaz de red haya sido instalada adecuadamente en un PC ejecutando Windows 95:

- 1 Haga dos veces clic en el icono **Mi ordenador**.
- 2 Haga dos veces clic en **Panel de Control**.
- 3 Haga dos veces clic en **Sistema**. El cuadro **Propiedades del Sistema** aparece.
- 4 Haga clic en la lengüeta **Administrador de Periféricos**.
- 5 Haga dos veces clic en **Adaptadores de Red**. El nombre de la tarjeta de interfaz de red aparece: 3Com EtherLink XL Adapter (3C905B).
Si este nombre no aparece, o si un punto de exclamación amarillo aparece a su lado, efectúe el siguiente procedimiento de resolución de problemas:
 - a En la ventana **Administrador de Periféricos**, haga dos veces clic en **Otros Periféricos**.
 - b Haga clic en PCI Ethernet Controller o la entrada duplicada de la tarjeta 3C905B-TX NIC.
 - c Haga clic en **Suprimir**.
 - d Arranque de nuevo su PC.

Instalación del Software y Actualización en un Sistema Windows NT 4.0

Esta sección describe la instalación del controlador de la red en una PC ejecutando Windows NT version 4.0. Antes de comenzar, obtenga el disquete *EtherDisk* #2 y los archivos de instalación de Windows NT (ubicados en **C:\I386** en sistemas ya cargados con Windows NT 4.0).

Si la conexión de Windows NT a la red no está ya instalada, puede que le haga falta la siguiente información de su Departamento de Informática:

- Si está conectado a un servidor LAN o si utiliza un módem para conectarse con uno
- El protocolo utilizado en la red de Microsoft Windows Network (típicamente TCP/IP o NetBEUI)
- El nombre del campo del servidor Windows NT o del grupo de trabajo al que usted pertenece
- Si no utiliza DHCP, su dirección IP

Instalación del Driver

Efectúe las siguientes etapas para instalar el driver de red en un PC ejecutando Windows NT version 4.0:

- 1 Arranque de nuevo el PC e inicie Windows NT.
- 2 En **Panel de Control**, haga dos veces clic en **Red**.
- 3 En la ventana **Red**, haga clic en el botón **Añadir...**
- 4 En la ventana **Seleccione Tipo Componentes de la Red**, seleccione **Adaptador** y haga clic en el botón **Añadir...**
- 5 En la ventana **Seleccione Adaptadores de Red**, haga clic en el botón **Disquete proporcionado...**
- 6 Introduzca el disquete n° 2 *EtherDisk* en la unidad de disquetes A, y en la ventana **Inserte disquete**, haga clic en OK.
- 7 En el cuadro Select OEM Option, seleccione 3Com EtherLink Adapter (3C905B).
- 8 Haga clic en OK.

- 9 Seleccione la lengüeta **Protocolo**.
- 10 Seleccione el protocolo adecuado para su red.
- 11 En la ventana **Parámetros de la Red**, haga clic en Cerrar.
Si le pregunta información sobre su red, escriba la información dada por su Departamento de Informática.
Windows NT le preguntará si quiere reorganizar.
- 12 Haga clic en **Si** para reorganizar su PC.
Esto completa la instalación del controlador.
Para confirmar que su controlador haya sido instalado adecuadamente haga dos veces clic en el icono **Red** del **Panel de Control**.
Haga dos veces clic en **Adaptador. 3Com EtherLink XL Adapter** debe de aparecer en la lista **Adaptadores de Red**.

PRECAUCIÓN

Si un service pack ha sido instalado en el PC antes de que la tarjeta de interfaz de red haya sido instalada, se debe reinstalar el service pack.

En algunas plataformas, tendrá que reinstalar los drivers de vídeo. Para más información, consulte la documentación de su PC.

Actualización del driver

Si ya tiene el driver de red 3C905B-TX y lo quiere actualizar, efectúe las siguientes instrucciones.

- 1 Instale la tarjeta de interfaz de red y conéctela a la red siguiendo las instrucciones previamente descritas.
- 2 Arranque de nuevo el PC e inicie Windows NT.
- 3 En el **Panel de Control**, haga dos veces clic en **Red**.
- 4 En la ventana **Red**, haga dos veces clic en **Adaptador**.

- 5 Seleccione 3Com EtherLink XL NIC.
- 6 Haga clic en Actualizar.
- 7 Introduzca el disquete *EtherDisk* #2. El controlador se actualizará automáticamente.

PRECAUCIÓN

Si un service pack ha sido instalado en el PC antes de que la tarjeta de interfaz de red haya sido instalada, se debe reinstalar el service pack.

En algunas plataformas, tendrá que reinstalar los drivers de vídeo. Para más información, consulte la documentación de su PC.

Verificación de la Instalación

Pruebe si la tarjeta funciona en la red buscando otro dispositivo de la red o ejecutando una operación de red. Si no funciona adecuadamente, refiérase a la siguiente sección de “Resolución de Problemas”.

Resolución de Problemas

La Tarjeta 3C905B-TX No Funciona

Si la interfaz de su red no funciona, intente las siguientes acciones:

- Verifique que:
 - La tarjeta esté correctamente instalada (refiérase a “Instalación de la Tarjeta de Interfaz de Red” en la página 7).
 - Los campos particulares de LAN estén correctamente actualizados en la herramienta HP PC Setup (refiérase a “Actualización de los campos especiales LAN en la herramienta HP PC Setup” en la página 9).
 - Las etapas de instalación de software hayan sido efectuadas (refiérase a “Procedimiento de Instalación del Software” en la página 10).
- Verifique los cables de la red. Sobre todo, verifique que las conexiones del cable de la red estén sujetas y que los cables no estén dañados. Si encuentra alguna conexión floja o un cable dañado, rectifique y vea si su PC se comunica con la red.
- Verifique que los LEDs 10 LNK o 100LNK en el panel posterior de la tarjeta NIC 3C905B-TX estén encendidos (refiérase a “Especificaciones de la tarjeta 3C905B-TX” en la página 17). El LED verde en el panel posterior de la tarjeta está apagado cuando no hay enlace con la red, por ejemplo, cuando el cable LAN no está conectado con el HUB de la red.
- En los sistemas NT 4.0, verifique que su Service Pack haya sido reinstalado. En caso de duda, reinstale el Service Pack.

El PC no se Puede Arrancar ni Activar por medio de la Red

Verifique que el cable conector WOL esté conectado a la tarjeta de interfaz de red y a la tarjeta madre del PC.

- Si el PC está apagado (por ejemplo, a causa de un fallo de electricidad, o si el cable de alimentación no está conectado), el Arranque Remoto (RPO) no funcionará. Para activar el Arranque Remoto, se debe, primero que nada, arrancar el PC, dejar que Windows 95 o NT 4.0 se inicie, y luego cerrar (hacer un shutdown) del PC.
- Verifique que el cable conector WOL esté conectado a la tarjeta de interfaz de red y a la tarjeta madre del PC.
- Verifique que los campos particulares de LAN estén correctamente actualizados en la herramienta HP PC *Setup* (refiérase a “Actualización de los campos especiales LAN en la herramienta HP PC Setup” en la página 9).

NOTA

El Arranque Remoto sólo lo admiten los sistemas Windows 95 y Windows NT 4.0.

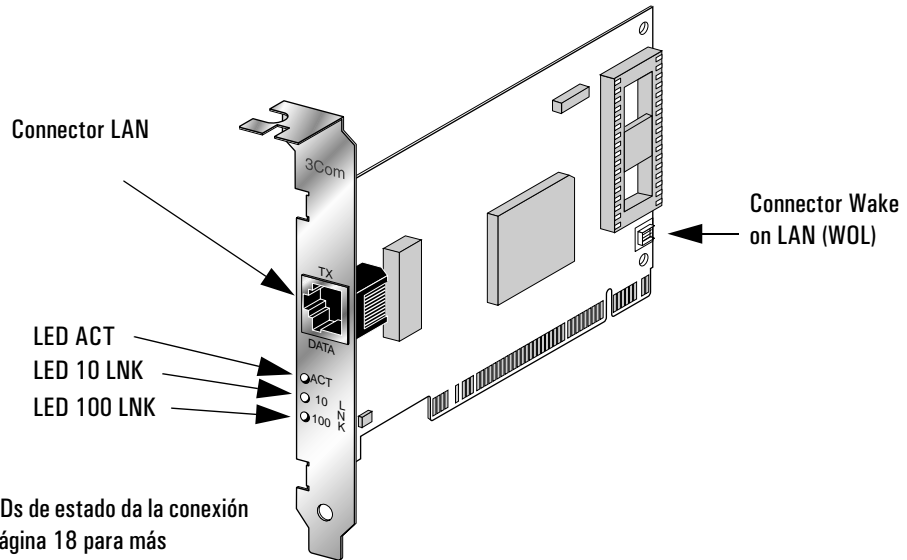
Servicios de Asistencia HP

Los controladores y herramientas más recientes están a su disposición en el sitio Web de HP en la dirección:

<http://www.hp.com/go/vectrasupport>

Especificaciones de la tarjeta 3C905B-TX

Presentación



Consulte "LEDs de estado de la conexión LAN" en la página 18 para más información

Especificaciones

Interfaz de Red	<ul style="list-style-type: none"> • 10 Mbps Ethernet 10BASE-T: Ethernet IEEE 802.3 de norma industrial para una red local de 10 Mbps baseband CSMA/CD. • 100 Mbps Ethernet 100BASE-TX: Ethernet IEEE 802.3u de norma industrial para una red local de 100 Mbps baseband CSMA/CD.
Dimensiones	<ul style="list-style-type: none"> • Altura: 8,57 cm • Longitud: 12,07 cm
Gama de funcionamiento medioambiental	<ul style="list-style-type: none"> • Temperatura de funcionamiento: 0° a 70° C • Humedad: 10 a 90% sin condensación

Alimentación eléctrica requerida	<ul style="list-style-type: none"> Tensión de funcionamiento: +5 V ± 5% @650 mA max
----------------------------------	--

LEDs de estado da la conexión LAN

Hay cuatro LEDs en la parte posterior de la tarjeta 3C905B-TX NIC que indican el estado de la conexión LAN conforme se describe a continuación:

LED	Descripción	Centelleante	Fijo	Apagado
10 LNK	Verde: Integridad del enlace	Polaridad inversa	Buena conexión 10BASE-T entre la NIC y el hub	No hay conexión entre la NIC y el hub
100 LNK	Verde: Integridad del enlace	Polaridad inversa	Buena conexión 100BASE-TX entre la NIC y el hub	No hay conexión entre la NIC y el hub
ACT	Amarillo: Tráfico de puerto para las dos velocidades	Tráfico de red presente	Tráfico de red importante	No hay tráfico

Información Regulatoria

DECLARACION DE CONFORMIDAD
Conforme a la Guía ISO/IEC 22 y EN 45014

Nombre del fabricante: HEWLETT-PACKARD
Dirección del fabricante: 5 Avenue Raymond Chanas
 38053 Grenoble Cedex 09
 FRANCIA

Declara que el producto: **Nombre del producto:** HP 10/100 3Com 3C905B-TX Tarjeta de interfaz de red
Model Number: D6500A & D6509A

Está en conformidad con las especificaciones de los productos siguientes:

SEGURIDAD Internacional: IEC 950:1991 + A1 + A2 + A3 + A4
 Europa: EN 60950:1992 + A1 + A2 + A3

EMC CISPR 22:1993 + A1 / EN 55022:1994 Clase B ¹⁾
 EN 50082-1:1992
 IEC 801-2:1992 / prEN 55024-2:1992 - 4kV CD, 8kV AD
 IEC 801-3:1984 / prEN 55024-3:1991 - 3V/m
 IEC 801-4:1988 / prEN 55024-4:1992 - Líneas de señal de 0.5 kV ,
 Potencia de Líneas de 1 kV

IEC 555-2:1982 + A1:1985 / EN60555-2:1987
 IEC 1000-3-3:1994 / EN61000-3-3:1995

FCC Título 47 CFR, Parte 15 Clase B ²⁾ / ICES-003, Tema 2 / VCCI-2 ¹⁾
 AS / NZ 3548:1992

Información suplementaria: El producto mencionado es conforme a los requisitos de las siguientes Directivas y a dicho efecto comporta la marca CE:
 Directiva EMC 89/336/EEC revisada por la directiva 93/68/EEC. La directiva de baja tensión 73/23/EEC.

- 1) El producto ha sido probado en una configuración típica con los sistemas PCs de Hewlett-Packard .
 2) Este dispositivo es conforme a las Reglas FCC, Capítulo 15. El funcionamiento está sometido a las dos siguientes condiciones: (1) el accesorio no debe causar interferencias peligrosas y (2) este accesorio debe aceptar cualquier interferencia recibida, incluso si es una interferencia que puede causar un funcionamiento no deseado.

Grenoble
 Mayo de 1998

Jean-Marc JULIA



Para la información de conformidad, contacte SOLAMENTE:
 Hewlett-Packard Company, Corporate Product Regulations Manager,
 3000 Hanover Street, Palo Alto, CA 94304. (Tel.: (415) 857-1501)

Válido sólo en México - Póliza de Garantía

Hewlett-Packard de México, S. A. de C. V. con domicilios en:

México, D.F.
Prolongación Reforma No. 470
Col. Lomas de Sta. Fe, 01210
Delegación Alvaro Obregón
Tel. 326 46 00

Garantiza este producto por el término de treinta y seis meses en todas sus partes y mano de obra contra cualquier defecto de fabricación y funcionamiento a partir de la fecha de entrega al consumidor final. En el caso de productos que requieran de enseñanza o adiestramiento en su manejo o en su instalación, a partir de la fecha en que hubiese quedado operando normalmente el producto después de su instalación en el domicilio que señale el consumidor.

CONDICIONES:

1. Centros de Servicio, Refacciones y Partes:

Para hacer efectiva esta garantía, no podrán exigirse mayores requisitos que la presentación de esta póliza junta con el producto en el lugar donde fue adquirido o en cualquiera de los centros de servicio, mismos en los que se pueden adquirir refacciones y partes.

2. Cobertura:

La Empresa se compromete a reparar o cambiar el producto, así como las piezas y componentes defectuosos del mismo, sin ningún cargo para el consumidor. Los gastos de transportación que se deriven de su cumplimiento serán cubiertos por Hewlett-Packard de México, S. A. de C. V.

3. Tiempo de Reparación:

El tiempo de reparación en ningún caso será mayor a treinta días contados a partir de la recepción del producto en cualquiera de los sitios en donde pueda hacerse efectiva la garantía.

4. Limitaciones:

Esta garantía no es válida en los siguientes casos:

- a) Cuando el producto ha sido utilizado en condiciones distintas a las normales.
- b) Cuando el producto no ha sido operado de acuerdo con el instructivo de uso en idioma Español proporcionado.

c) Cuando el producto ha sido alterado o reparado por personas no autorizadas Hewlett-Packard de México, S.A. de C. V.

Producto	Marca	Modelo	
No. de Serie	Nombre del Distribuidor		
Dirección : (Calle, Número, Colonia o Poblado, Delegación o Municipio)			
C.P.	Ciudad	Estado	Teléfono
Fecha de entrega o instalación			

Notas: El consumidor podrá solicitar que se haga efectiva la garantía ante la propia casa comercial donde adquirió el producto. En caso de que la presente garantía se extraviara, el consumidor puede recurrir a su factura de compra a cualquiera de los centros autorizados de servicio, para hacer válida su garantía.

Garantía del Hardware HP

Este accesorio HP está cubierto por una garantía limitada durante un periodo de un año desde la fecha de adquisición por parte del usuario final original. El tipo de asistencia proporcionado implica la devolución a HP o a un centro de servicio técnico de un distribuidor autorizado.

Si un accesorio es defectuoso, Hewlett Packard se reserva la posibilidad de repararlo o reemplazarlo por una nueva unidad de mismo tipo o de modelo equivalente.

Si el accesorio incriminado ha sido comprado y utilizado con un PC HP Vectra o una Estación de Trabajo PC HP Kayac, estará cubierto por la garantía del computador o de la estación de trabajo, bajo las mismas condiciones de servicio y de duración.

Consulte el documento de garantía proporcionado con el PC HP o la Estación de Trabajo PC HP para informarse sobre las limitaciones, la responsabilidad del cliente y las demás condiciones de la garantía.

Guida di installazione della scheda di
interfaccia di rete HP 10/100 3Com
3C905B-TX

Avvertenza

Le informazioni contenute nel presente documento possono essere modificate senza preavviso.

Hewlett-Packard non garantisce in alcun modo il prodotto descritto nel presente documento né, senza che quanto segue sia limitativo, le garanzie implicite di commercializzazione o la sua adeguatezza ad una particolare applicazione. Hewlett Packard non è responsabile degli errori contenuti nel presente documento, né dei danni accessori o derivati in relazione con la fornitura, le prestazioni o l'uso di questo materiale.

Hewlett-Packard non può essere ritenuta responsabile dell'uso o dell'affidabilità del suo software su apparecchiature che non siano di fornitura Hewlett Packard.

Il presente documento contiene informazioni proprietarie protette da copyright. Tutti i diritti sono riservati. Nessuna parte del presente documento può essere fotocopiata, riprodotta o tradotta in un'altra lingua senza il previo consenso scritto di Hewlett Packard Company.

Acrobat® e Adobe® sono marchi registrati di Adobe Systems Incorporated e possono essere registrati in alcune giurisdizioni.

3Com® e EtherDisk® sono marchi registrati negli Stati Uniti di 3Com Corporation.

Magic Packet™ e PCnet™ sono marchi registrati negli Stati Uniti di AMD Corporation.

Microsoft®, Windows® e Windows NT® sono marchi registrati negli Stati Uniti di Microsoft Corporation.

Hewlett-Packard France
Commercial Computing Division
Technical Marketing
5 Avenue Raymond Chanas
38053 Grenoble Cedex 9
Francia

© 1998 Hewlett-Packard Company

Brani citati ristampati con l'autorizzazione di 3Com Corporation.

© 1998 3Com Corporation

I componenti del Kit di rete

Il Network Kit comprende i seguenti elementi:

Componente	Quantità nel Network Kit	
	D6500A	D6509A
Scheda di interfaccia di rete (NIC) HP 10/100 3Com 3C905B-TX	1	10
Dischetti contenenti il pilota LAN	2	2
Cavo Wake On LAN	1	10
La presente <i>Guida di installazione</i>	1	1

Requisiti per l'installazione

Per l'installazione della scheda di interfaccia di rete sono supportati i seguenti sistemi operativi e piattaforme PC HP.

Sistemi operativi supportati

- Windows 95 SR2 o più recente
- Windows NT 4.0 e Service Pack 3

I dischetti per l'installazione dei piloti contengono anche i piloti per altri sistemi operativi di rete. Per maggiori informazioni sull'installazione di questi piloti riferirsi al file *Leggimi* presente nei dischetti di installazione. I piloti aggiornati sono disponibili sul sito web HP al seguente indirizzo:

<http://www.hp.com/go/vectrasupport>

Piattaforme supportate

Per sapere su quali PC è possibile installare la scheda 3C905B-TX collegarsi ai siti web HP:

- Per i PC Vectra aziendali
<http://www.hp.com.go/vectraaccessories>
- Per le workstation Kayak PC
<http://www.hp.com.go/kayakaccessories>

NT Service Pack

Se nel PC è già installato un NT Service Pack sarà necessario reinstallarlo dopo aver eseguito l'installazione della scheda di interfaccia di rete (NIC) e del software. Se si usa il software preinstallato HP NT 4.0 il Service Pack aggiornato può essere trovato in **C:\I386\SPx** directory.

Dischetti originali del sistema operativo

Durante l'installazione del software sarà necessario avere a disposizione i dischetti originali del sistema operativo o il CD-ROM.

Se si usa il software del sistema operativo HP preinstallato i dischetti originali possono essere reperiti nelle seguenti directory:

- **C:\I386** (Windows NT 4.0)
- **C:\WINDOWS\OPTIONS\CABS** (Windows 95)

Piloti di rete supportati

Hewlett-Packard supporta i seguenti piloti di rete:

Sistema operativo di rete	LEGGIMI (per l'installazione del pilota)	Nome del pilota di rete
Windows 95	W95NDIS.TXT	EL90XND3.SYS EL90XND4.SYS
Windows 95 NDIS 2	W95NDIS.TXT	EL90X.DOS
Windows NT 3.51	WINNT.TXT	EL90XND3.SYS
Windows NT 4.0	WINNT.TXT	EL90XND4.SYS
NetWare Client 32 ODI	CLIENT32.TXT	3C90X.LAN
NetWare OS/2	NWOS2ODI.TXT	3C90X.SYS
NetWare client per DOS, Windows 3.1, e Windows per gruppi di lavoro	AUTOLINK.TXT (NETWARE directory)	3C90X.COM
Windows per gruppi di lavoro (NetWare)	WFVNETWR.TXT	3C90X.COM
Windows per gruppi di lavoro (NDIS 2)	WFVNDIS2.TXT	EL90X.DOS
Windows per gruppi di lavoro (NDIS 3)	WFVNDIS3.TXT	EL90X.386
Microsoft LAN Manager	LANMAN.TXT	EL90X.DOS

Piloti di rete non supportati

I seguenti piloti di rete sono forniti nei dischetti *EtherDisk* ma non sono supportati da Hewlett-Packard:

Sistema operativo di rete	LEGGIMI (per l'installazione del pilota)	Nome del pilota di rete
Netware 4.1 Server	NETWARE.41X	3C90X.LAN
Banyan VINES	BANYAN.TXT	EL90X.DOS
Artisoft LANtastic	LANTASTK.TXT	EL90X.DOS
IBM LAN SERVER (DOS)	LANSRVR.TXT	EL90X.DOS
IBM LAN SERVER (OS/2)	LANSRVR.TXT	EL90X.OS2
DEC PATHWORKS	PATHWORK.TXT	EL90X.DOS (DOS) e 3C90X.COM (Netware)

Generalità sulla procedura di installazione

AVVERTENZA

Il PC e la scheda di interfaccia di rete possono essere danneggiati irreparabilmente dall'elettricità statica. Prima di maneggiare la scheda toccare qualsiasi parte non verniciata del telaio metallico del PC. Mantenere il collegamento a terra indossando un bracciale collegato al telaio. Manipolare la scheda prendendola sul retro e dal bordo superiore. Non toccare i piedini del connettore.

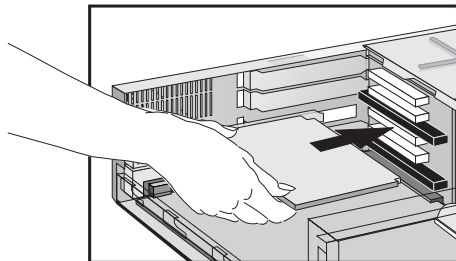
L'installazione della scheda di rete 3C905B-TX si esegue in 4 fasi. E' necessario:

- 1 Installare la scheda nel PC.
- 2 Collegare la scheda alla rete.
- 3 Aggiornare i campi specifici LAN nell'utilità Parametri del PC HP.
- 4 Installare il software del pilota.

Installazione della scheda di interfaccia di rete (NIC)

Per informazioni complete sulle modalità di installazione delle schede riferirsi al *Manuale dell'Utente* del PC. Le seguenti operazioni sono indicate a titolo di guida:

- 1 Con il PC non alimentato (off) scollegare il cavo di alimentazione ed ogni altra connessione alla rete di telecomunicazioni e togliere il coperchio.
- 2 Scegliere una slot PCI libera. Se non si sa come riconoscere una slot PCI riferirsi alla documentazione sul PC.
- 3 Togliere la protezione metallica della slot.
- 4 A seconda del modello del PC, può essere necessario rimuovere le staffe di blocco della slot. Riferirsi al Manuale dell'Utente del PC se necessario.
- 5 Inserire la scheda nella slot senza piegarla.



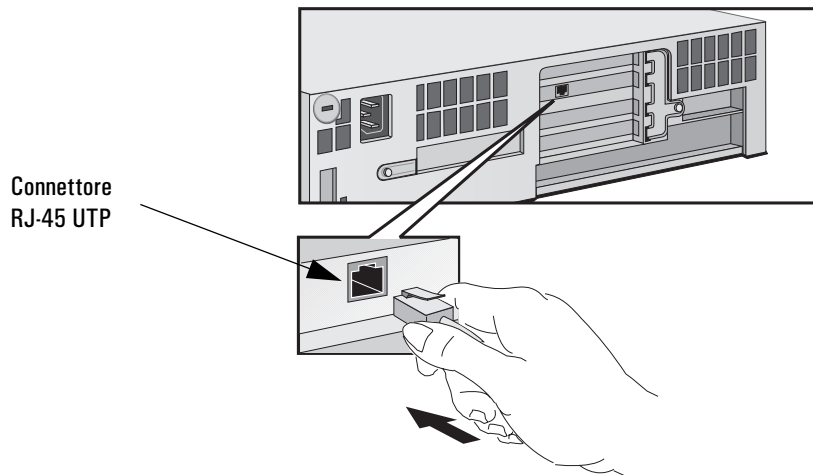
La scheda può essere installata indifferentemente nei modelli mini tower o in quelli da tavolo.

- 6 Collegare il cavo Wake on LAN ai connettori sulla NIC ed alla piastra posteriore o alla scheda madre. Per la posizione del connettore Wake on LAN riferirsi alle “Specifiche 3C905B-TX NIC” a pagina 16. Riferirsi alla documentazione del PC per la posizione del connettore Wake on LAN sulla scheda di sistema o sulla piastra posteriore.
- 7 Bloccare la scheda riposizionando adeguatamente la vite della protezione della slot o quelle delle staffe.

- 8 Rimontare il coperchio. Riallacciare il cavo di alimentazione e tutte le altre connessioni alla rete di telecomunicazione.

Collegamento alla rete

Collegare il cavo di rete al connettore LAN RJ-45 UTP (doppini non schermati). La scheda LAN supporta il funzionamento a 10 Mbits/s e 100 Mbits/s.



Wake Up remoto

La scheda di interfaccia di rete è in grado di riaccendere il PC mentre si trova in stato di veglia qualora riceva una speciale sequenza (nota come Magic Packet™) dalla rete.

Aggiornamento dei campi specifici LAN nell'utilità Setup del PC HP

Dopo aver installato fisicamente la scheda di rete nel PC è necessario verificare che il BIOS sia configurato per poter usare la scheda. A questo scopo è necessario far ricorso all'utilità Parametri del PC HP.

Lancio dell'utilità Parametri del PC HP

- 1 Riavviare il PC.
- 2 Premere **F2** quando sullo schermo viene visualizzato **F2=Setup** durante la routine di avvio del PC. Sullo schermo appare la finestra dell'utilità *Setup* del PC HP.

Quali campi devono essere aggiornati ?

Cercare e se necessario aggiornare tutti i campi relativi alla LAN.

L'elenco riportato di seguito fornisce alcune indicazioni su come configurare un'interfaccia LAN. I nomi dei campi usati nella versione del programma *Setup* del PC possono essere leggermente diversi da quelli qui indicati.

Se si desidera inizializzare dalla rete:

- Verificare che **Security → Boot Devices Security → Start from Network** sia attivato.
- Modificare l'ordine di inizializzazione in modo che la rete appaia per prima (**Advanced → Advanced CMOS Setup → 1st Boot Device Network**).

NOTA

Si può inizializzare un PC dalla rete solo se possiede la ROM di inizializzazione integrata nel BIOS (come per esempio nel caso dei PC HP Vectra VL Serie 8) oppure se contiene una scheda di rete con un chip di ROM che include l'inizializzazione.

Su altre piattaforme come i PC HP Vectra VL serie 7, VE serie 7 o serie 8 è necessario un chip di inizializzazione ROM per inizializzare dalla rete. Questo componente può essere ordinato presso la 3Com.

Se si desidera risvegliare il PC dalla rete:

- Verificare che il PC possa essere risvegliato dalla rete (**Power → Suspend Wakeup → Network [Enabled]**).

Se si desidera accendere il PC dalla rete:

- Verificare che il PC possa essere acceso dalla rete (**Power → Power-On → Network [Enabled]**).

Procedura di installazione del software

AVVERTENZA

Accertarsi di aver installato la scheda di interfaccia di rete prima di installare il pilota del software di rete.

Installazione del software in un sistema dotato di Windows 95

Questo capitolo descrive come installare il pilota di rete su un PC dotato di Windows 95:

- 1 Avviare il PC. Windows 95 riconoscerà automaticamente la scheda di interfaccia di rete.
- 2 Selezionare **Driver** (Pilota) dal dischetto fornito dal fabbricante della scheda e cliccare su OK.
- 3 Inserire *EtherDisk* dischetto n° 2 nel lettore; se il dischetto si trova nel lettore A cliccare su OK.
In caso contrario inserire la lettera corrispondente al lettore e poi cliccare su OK. Dopo che i file di installazione 3Com sono stati letti, Windows 95 richiede i file di installazione di rete di Windows 95.
- 4 Inserire il path dei file Windows 95 (file CAB) e cliccare su OK. Nei sistemi HP con Windows 95 preinstallato il path è **C:\WINDOWS\OPTIONS\CABS**.
Se Windows chiede di reinizializzare cliccare su Sì. L'installazione del pilota è terminata.

Conferma dell'installazione

Seguire le fasi di seguito indicate per confermare che la scheda di rete è stata correttamente installata nel PC con Windows 95:

- 1 Fare un doppio clic sull'icona Risorse del computer.

- 2 Fare un doppio clic sull'icona **Pannello di controllo**.
- 3 Fare un doppio clic sull'icona **Sistema**. Appare la finestra **Proprietà sistema**.
- 4 Cliccare sulla pagina **Gestione periferiche**. Appare una lista delle periferiche ordinata per tipo.
- 5 Cliccare due volte su **Schede di rete**. Appare il nome della scheda di interfaccia di rete installata:
3Com EtherLink XL Adapter (3C905B).
Se il nome non compare nella lista oppure se accanto al nome compare un punto interrogativo giallo, seguire la seguente procedura:
 - a Nella finestra **Gestione periferiche** cliccare due volte su **Altre periferiche**.
 - b Cliccare su PCI Ethernet Controller o sul duplicato della scheda di rete 3C905B-TX NIC.
 - c Cliccare su **Rimovi**.
 - d Riavviare il PC.

Installazione e aggiornamento del software in un sistema equipaggiato con Windows NT 4.0

Questo capitolo illustra come installare in pilota di rete in una workstation PC equipaggiata con il sistema operativo Windows NT versione 4.0. Prima di iniziare prendere il dischetto *EtherDisk* n° 2 ed i file di installazione per Windows NT (si trovano in **C:\I386** nei sistemi in cui Windows NT 4.0 è preinstallato).

Se l'interfaccia di rete Windows NT non è installata è necessario avere le seguenti informazioni dal servizio informatico aziendale:

- Se ci si trova in una LAN oppure se ci si ad una LAN attraverso un modem
- Il protocollo usato nella rete Microsoft Windows (tipicamente TCP/IP o NetBEUI)
- Il nome del dominio del server Windows NT o il gruppo di lavoro al quale si appartiene
- Il proprio indirizzo IP se non si usa il DHCP

Installazione del pilota

Per installare il pilota di rete in un PC equipaggiato di Windows NT versione 4.0 seguire la seguente procedura:

- 1 Riavviare il PC e lanciare Windows NT.
- 2 In Pannello di controllo, cliccare due volte su **Rete**.
- 3 Nella finestra **Rete** cliccare sul pulsante **Aggiungi...**
- 4 Nella finestra **Scegliere il tipo di componente di rete** selezionare **Adattatore** e cliccare sul pulsante **Aggiungi...**
- 5 Nella finestra **Scegliere schede di rete** cliccare sul pulsante **Disco...**
- 6 Inserire il dischetto *EtherDisk* n° 2 nel lettore A e nella finestra **Inserisci disco** cliccare su OK.
- 7 Nella finestra Scegliere opzione Altro produttore selezionare 3Com EtherLink Adapter (3C905B).
- 8 Cliccare su OK.
- 9 Selezionare il foglio **Protocollo**.
- 10 Selezionare il protocollo corretto per la propria rete.
- 11 Nella finestra **Parametri di rete** cliccare su Chiudi.
Se il computer richiede informazioni sulla rete inserire le informazioni fornite dal proprio servizio di rete.
Windows NT chiede di reinizializzare.
- 12 Cliccare su Si e riavviare il PC.
L'installazione del pilota è terminata.
Per confermare la riuscita dell'installazione cliccare due volte sull'icona **Rete** nel **Pannello di controllo**. Cliccare due volte sulla voce **Adattatore**. Nella lista delle Schede di rete deve figurare la Scheda 3Com EtherLink XL Adapter.

AVVERTENZA

Se prima dell'installazione della scheda di interfaccia di rete nel PC era già installato il Service Pack sarà necessario reinstallarlo.

Su alcune piattaforme può essere necessario reinstallare i piloti video. Verificare la documentazione del PC per maggiori informazioni.

Aggiornamento del pilota

Se il pilota di rete 3C905B-TX è già installato e si desidera aggiornarlo seguire le istruzioni riportate di seguito.

- 1 Installare la scheda di rete e collegarla alla rete come descritto in precedenza.
- 2 Riavviare il PC e lanciare Windows NT.
- 3 Nel **Pannello di controllo**, cliccare due volte su **Rete**.
- 4 Nella finestra **Rete** cliccare due volte su **Adattatore**.
- 5 Selezionare la scheda di interfaccia 3Com EtherLink XL NIC.
- 6 Cliccare su **Aggiorna**.
- 7 Inserire il dischetto *EtherDisk* n° 2. Il pilota verrà aggiornato automaticamente.

AVVERTENZA

Se prima dell'installazione della scheda di interfaccia di rete nel PC era già installato il Service Pack sarà necessario reinstallarlo.

Su alcune piattaforme può essere necessario reinstallare i piloti video. Verificare la documentazione del PC per maggiori informazioni.

Verifica dell'installazione

La verifica del funzionamento della scheda di rete viene eseguita trovando un'altra periferica di rete oppure eseguendo un'operazione in rete. Se la scheda non funziona correttamente riportarsi al capitolo "Soluzione dei problemi" che segue.

Soluzione dei problemi

La scheda 3C905B-TX non funziona

Se la scheda di rete non funziona seguire la seguente procedura:

- Verificare che:
 - La scheda sia stata installata correttamente (riferirsi al capitolo “Installazione della scheda di interfaccia di rete (NIC)” a pagina 7).
 - I campi specifici LAN nell'utilità Parametri del PC HP siano stati correttamente compilati (riferirsi al capitolo “Aggiornamento dei campi specifici LAN nell'utilità Setup del PC HP” a pagina 9).
 - Siano stati seguiti correttamente tutti i punti per l'installazione del software (riferirsi a “Procedura di installazione del software” a pagina 10).
- Controllare i cavi di collegamento con la rete. In particolare verificare che le connessioni dei cavi siano salde e che i cavi non siano danneggiati. Se si trovano connessioni mancanti o cavi danneggiati eseguire le riparazioni necessarie e ricontrollare che il PC comunichi con la rete.
- Verificare che i due LED verdi 10 LNK e 100LNK sul pannello posteriore della scheda di rete 3C905B-TX siano accesi (riferirsi alle “Specifiche 3C905B-TX NIC” a pagina 16). I LED verdi sul pannello posteriore della scheda sono spenti quando non c'è collegamento con la rete, per esempio quando il cavo LAN non è collegato alla HUB di rete.
- Per i sistemi equipaggiati con NT 4.0 verificare che il Service Pack sia stato reinstallato. In caso di dubbio reinstallarlo.

Non si riesce a risvegliare o riaccendere il PC dalla rete

Verificare che il connettore del cavo WOL sia collegato alla scheda di interfaccia di rete e alla scheda di sistema del PC.

- Se il PC è stato spento (per esempio a causa di un'interruzione dell'alimentazione o perché il cavo di alimentazione è stato scollegato) il sistema di accensione a distanza (RPO) non funzionerà. Per riattivare l'RPO è necessario prima alimentare il PC, reinizializzare Windows 95 o NT 4.0 e rispegnere il PC (shut down).
- Verificare che il cavo WOL sia collegato alla scheda di interfaccia di rete e alla scheda di sistema del PC.
- Verificare che i campi specifici LAN nell'utilità *Setup* del PC HP siano stati correttamente compilati (riferirsi al capitolo "Aggiornamento dei campi specifici LAN nell'utilità Setup del PC HP" a pagina 9).

NOTA

Il sistema RPO è supportato esclusivamente da Windows 95 e Windows NT 4.0.

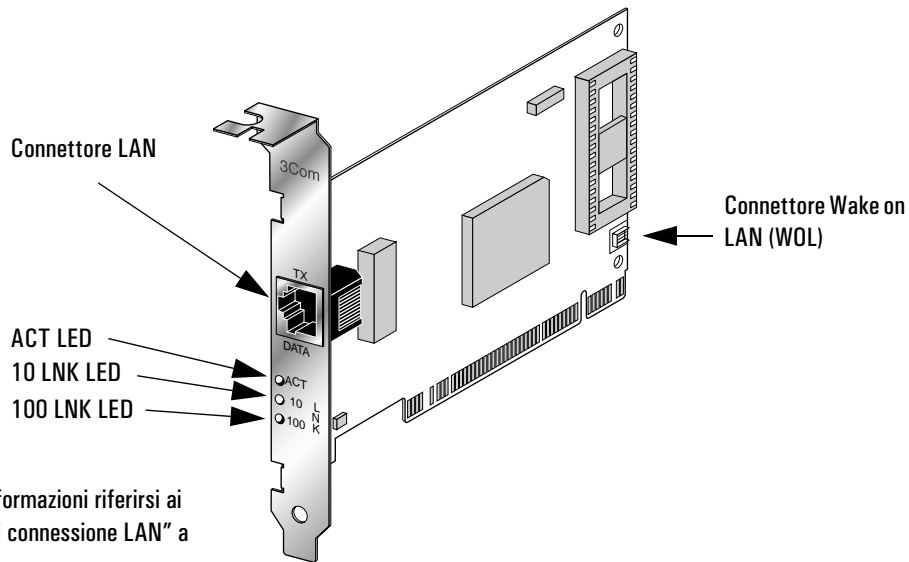
Servizi di supporto HP

I piloti e le utilità più recenti sono disponibili sul sito web HP al seguente indirizzo:

<http://www.hp.com/go/vectrasupport>

Specifiche 3C905B-TX NIC

Architettura



Per maggiori informazioni riferirsi ai
"LED di stato di connessione LAN" a
pagina 17

Specifiche

Interfaccia di rete	<ul style="list-style-type: none">• 10 Mbps Ethernet 10BASE-T: Ethernet IEEE 802.3 standard industriale per rete locale con banda passante 10 Mbps CSMA/CD.• 100 Mbps Ethernet 100BASE-TX: Ethernet IEEE 802.3u standard industriale per rete locale con banda passante 100 Mbps CSMA/CD.
Dimensioni fisiche	<ul style="list-style-type: none">• Altezza: 8.57 cm• Lunghezza: 12.07 cm
Condizioni operative	<ul style="list-style-type: none">• Temperatura di esercizio: 0° - 70° C• Umidità: 10 - 90% senza condensa

Alimentazione	<ul style="list-style-type: none"> Tensione di alimentazione: +5 V \pm 5% @650 mA max
---------------	---

LED di stato di connessione LAN

Sulla parte posteriore della scheda di interfaccia di rete 3C905B-TX sono presenti tre spie LED che indicano lo stato della connessione LAN come segue:

LED	Descrizione	Lampeggia	Fissa	Spenta
10 LNK	Verde: collegamento corretto	Polarità invertita	Buona connessione 10BASE-T tra la scheda di rete e la hub	Assenza di connessione tra la scheda di rete e la hub
100 LNK	Verde: collegamento corretto	Polarità invertita	Buona connessione 100BASE-TX tra la scheda di rete e la hub	Assenza di connessione tra la scheda di rete e la hub
ACT	Giallo: traffico sulla porta per le due velocità	Presenza di traffico di rete	Traffico di rete intenso	Nessun traffico

Informazioni regolamentari

DICHIARAZIONE DI CONFORMITÀ Conformemente alle norme ISO/IEC Guida 22 e EN 45014

Nome del costruttore: HEWLETT-PACKARD
Indirizzo del costruttore: 5 Avenue Raymond Chanas
38053 Grenoble Cedex 09
FRANCIA

Dichiara che il prodotto: **Nome del prodotto:** HP 10/100 3Com 3C905B-TX Scheda di interfaccia di rete
Modello n°: D6500A & D6509A

E' conforme alle seguenti specifiche di prodotto:

SICUREZZA Internazionale: IEC 950:1991 + A1 + A2 + A3 + A4
Europea: EN 60950:1992 + A1 + A2 + A3

EMC CISPR 22:1993 + A1 / EN 55022:1994 Classe B ¹⁾
EN 50082-1:1992
IEC 801-2:1992 / prEN 55024-2:1992 - 4kV CD, 8kV AD
IEC 801-3:1984 / prEN 55024-3:1991 - 3V/m
IEC 801-4:1988 / prEN 55024-4:1992 - 0.5 kV linee di segnale,
1 kV linee di potenza

IEC 555-2:1982 + A1:1985 / EN60555-2:1987
IEC 1000-3-3:1994 / EN61000-3-3:1995

FCC titolo 47 CFR, Parte 15 Classe B ²⁾ / ICES-003, N° 2 / VCCI-2 ¹⁾
AS / NZ 3548:1992

Informazioni aggiuntive: Il prodotto qui descritto è conforme ai requisiti imposti dalle seguenti Direttive e porta il marchio CE conformemente a: la direttiva EMC 89/336/EEC emendata dalla direttiva 93/68/EEC. La Direttiva sulla Bassa Tensione 73/23/EEC.

¹⁾ Il prodotto è stato provato in una configurazione tipica con i Personal Computer Hewlett-Packard.

²⁾ Il presente dispositivo è conforme alla Parte 15 delle Norme FCC. Il suo funzionamento è sottoposto alle due condizioni che seguono: (1) il dispositivo non deve provocare interferenze dannose e (2) il dispositivo deve accettare ogni interferenza ricevuta, comprese le interferenze che possono causare effetti indesiderati.

Grenoble
Maggio 1998

Jean-Marc JULIA
Responsabile della Qualità

Contattare il seguente indirizzo **ESCLUSIVAMENTE** per
ottenere informazioni sulla conformità alle norme:
Hewlett-Packard Company, Corporate Product Regulations Manager,
3000 Hanover Street, Palo Alto, CA 94304. (Tel: (415) 857-1501)



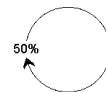
Garanzia hardware HP

Questo accessorio HP è coperto da una garanzia hardware limitata della durata di un anno dalla data di acquisto da parte dell'utente finale. Il tipo di servizio fornito è la resa ad un centro di assistenza tecnica HP o ad un centro di rivendita autorizzato ad eseguire riparazioni.

Un accessorio eventualmente difettoso potrà essere riparato o sostituito, a completa discrezione di Hewlett-Packard, con un'unità nuova dello stesso tipo o con un modello equivalente.

Se l'accessorio viene acquistato ed usato insieme ad un personal computer HP Vectra o ad una HP Kayak Workstation PC, usufruirà della garanzia del computer o della workstation, alle stesse condizioni di assistenza e di durata.

Riferirsi alle clausole di garanzia fornite con il personal computer HP o con la Workstation PC per le limitazioni di garanzia, le responsabilità dell'acquirente ed ogni altro termine e condizione.



Paper not bleached with chlorine

Part number: D6500-90001

Printed in France: 06/98



D6500-90001